



Project _____
AIA # _____ SIS # _____
Item # _____ Quantity _____ C.S.I. Section 114000

VSKTEC

Stand for Electric Counter Kettles



Model VSKTEC

MODELS

- VSKTEC** 29.25" wide, stand for K6ETT & K12ETT self-contained kettles

STANDARD FEATURES

- Stainless steel frame, flanged feet on front and rear.
- Complete with mounting hardware for Vulcan counter kettles.
- One year limited parts and labor warranty.

VSKTEC - Stand for Electric Counter Kettles



SPECIFIER STATEMENT

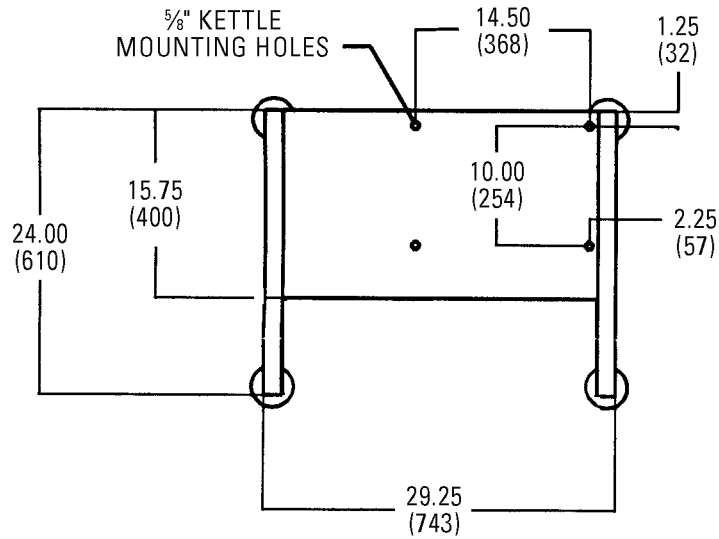
Equipment stand for electric counter kettles, Vulcan Model VSKTEC. Stainless steel frame, flanged feet on the front and rear. Complete with mounting hardware for Vulcan kettles.

Exterior Dimensions:

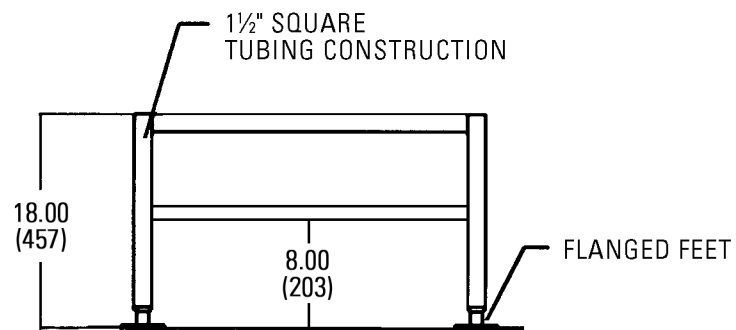
29.25"w x 24"d x 18"h mounting height.

NSF listed.

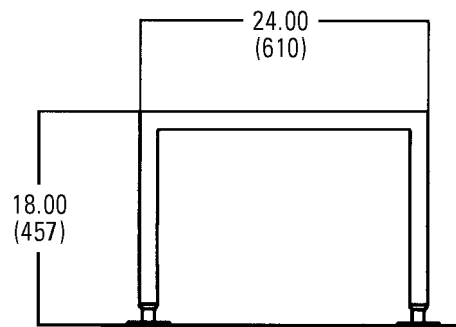
Approved by _____ Date _____ Approved by _____ Date _____



TOP VIEW



FRONT VIEW



SIDE VIEW

As continued product improvement is a policy of Vulcan, specifications are subject to change without notice.