

INSTALLATION & OPERATION MANUAL

ITW Food Equipment Group

VULCAN

HOBART



GAS

CONVECTION OVENS

MODELS

VC4GD

VC4GC

VC5GD

VC6GD

VC6GC

HGC5

HGC5X

HGC5D

HGC5DX

WKGD



For additional information on Vulcan-Hart or to locate an authorized parts and service provider in your area, visit our website at www.vulcanhart.com

IMPORTANT FOR YOUR SAFETY

THIS MANUAL HAS BEEN PREPARED FOR PERSONNEL QUALIFIED TO INSTALL GAS EQUIPMENT, WHO SHOULD PERFORM THE INITIAL FIELD START-UP AND ADJUSTMENTS OF THE EQUIPMENT COVERED BY THIS MANUAL.

POST IN A PROMINENT LOCATION THE INSTRUCTIONS TO BE FOLLOWED IN THE EVENT THE SMELL OF GAS IS DETECTED. THIS INFORMATION CAN BE OBTAINED FROM THE LOCAL GAS SUPPLIER.

IMPORTANT

IN THE EVENT A GAS ODOR IS DETECTED, SHUT DOWN UNITS AT MAIN SHUTOFF VALVE AND CONTACT THE LOCAL GAS COMPANY OR GAS SUPPLIER FOR SERVICE.

FOR YOUR SAFETY

DO NOT STORE OR USE GASOLINE OR OTHER FLAMMABLE VAPORS OR LIQUIDS IN THE VICINITY OF THIS OR ANY OTHER APPLIANCE.

⚠ WARNING Improper installation, adjustment, alteration, service or maintenance can cause property damage, injury or death. Read the installation, operating and maintenance instructions thoroughly before installing or servicing this equipment.

IN THE EVENT OF A POWER FAILURE, DO NOT ATTEMPT TO OPERATE THIS DEVICE.

Installation, Operation and Care of GAS CONVECTION OVENS

KEEP THIS MANUAL FOR FUTURE REFERENCE

GENERAL

All models feature a solid state temperature control. Most models have the option for a programmable oven controller. One hour dial timer is standard; five hour timer is optional. (Except VC5 - a 5 hr. timer is standard). Two-speed 1/2 HP (0.37 kw) electric motor is standard equipment. Each oven is furnished with 5 racks; additional oven racks are available. The burner input rating for each oven is 50,000 BTU/hr.

Porcelain interior is standard on all models.

VC6GD, VC6GC, HGC5X, and HGC5DX oven models have cavities that are 4 inches (102 mm) deeper than standard models.

Standard ovens are 120 V, 60 Hz, 1 PH and include cord and plug. Optional electrical specifications of 208/240 V are available and require hard wire connection.

Independently opening doors are standard; simultaneous door opening is optional (except on a VC5). Hobart models are standard with simultaneous doors.

Other options include: an open stand with lower storage rack, roast and hold, and a stacking kit for mounting one oven on top of another.

Convection Ovens are produced with quality workmanship and material. Proper installation, usage and maintenance of your oven will result in many years of satisfactory performance.

It is suggested that you thoroughly read this entire manual and carefully follow all of the instructions provided.

FEATURES AND OPTIONS

Model	Thermostat	Timer	Oven Lights	Programmable	Legs	Stand with Storage Rack	Voltage*
Standard size	Solid State	1 Hr. (VC5 has 5 hr timer)	Std.	Opt. (except VC5)	23 ³ / ₄ (603 mm)	Opt.	120/60/1 Std. 208/60/1 Opt. 240/60/1 Opt.
Deep size	Solid State	1 Hr. Std.	Std.	Opt.	23 ³ / ₄ (603 mm)	Opt.	240/50/1 Opt. 220/380 (3W)/50/3 Opt.
Stacked Ovens					8" (203 mm)		220/380 (4W)/50/3 Opt. 240/415 (4W)/50/3 Opt.

*VC5 Only available in 120/60/1

INSTALLATION

Before installing, verify that the electrical service and type of gas supply (natural or L.P.) agree with the specifications on the rating plate, located behind the top trim panel on the front of the oven. If the supply and equipment requirements do not agree, do not proceed with the installation. Contact your dealer or Vulcan-Hart Company immediately.

UNPACKING

This oven was inspected before leaving the factory. The transportation company assumes full responsibility for safe delivery upon acceptance of the shipment. Immediately after unpacking, check for possible shipping damage. If the oven is found to be damaged, save the packaging material and contact the carrier within 15 days of delivery.

Carefully unpack the oven and place it in a work-accessible area near to its final installed position.

Do not use the doors or their handles to lift the oven.

LOCATION

The equipment area must be kept free and clear of combustible substances.

When installed, minimum clearance from combustible construction must be 1 inch (25 mm) at the left side, 2 inches (51 mm) at the right side and 0 inch (0 mm) at the rear. Minimum clearance from noncombustible construction must be 0 inch (0 mm) at the left side, 0 inches (0 mm) at the right side and 0 inch (0 mm) at the rear. The oven may be installed on combustible floors.

The installation location must allow adequate clearances for servicing and proper operation. For solid state and digital control models, there must be 18 inches (457 mm) of clearance on the right side of the oven from any open flame.

The oven must be installed so that the flow of combustion and ventilation air will not be obstructed. Adequate clearance for air openings into the combustion chamber must be provided. Make sure there is an adequate supply of air in the room to allow for combustion of gas at the oven burners.

Do not permit fans to blow directly at the oven. Wherever possible, avoid open windows next to the oven. Avoid wall-type fans which create air cross currents within the room.

The installation location should not experience temperatures below -20°C (-4°F).

INSTALLATION CODES AND STANDARDS

In the United States of America:

1. State and local codes.
2. National Fuel Gas Code, ANSI/Z223.1/NFPA #54 (latest edition). Copies may be obtained from The American Gas Association, Inc., Accredited Standards Committee Z223 @ 400 N. Capital St. NW, Washington, DC 20001 or the Secretary Standards Council, NFPA, 1 Batterymarch Park, Quincy, MA 02169-7471.

NOTE: In the Commonwealth of Massachusetts,

All gas appliances vented through a ventilation hood or exhaust system equipped with a damper or with a power means of exhaust shall comply with 248 CMR.

3. *Vapor Removal From Cooking Equipment*, NFPA-96 (latest edition). Copies may be obtained from The National Fire Protection Association, Batterymarch Park, Quincy, MA 02169-7471.
4. National Electrical Code, ANSI/NFPA-70 (latest edition). Copies may be obtained from The National Fire Protection Association, Batterymarch Park, Quincy, MA 02169-7471.

In Canada:

1. Local codes.
2. CSA B149.1 Natural Gas and Propane Installation Code.
3. CSA C22.1 Canadian Electric Code (latest edition).

The above are available from the Canadian Standard Association, 5060 Spectrum Way, Suite 100, Mississauga, Ontario, Canada L4W 5N6.

INSTALLING BASIC OVEN

The basic oven must be installed on legs or be mounted on a modular stand. Installations on concrete bases or other supports restricting air circulation underneath the oven is not advisable and may void the warranty.

Ovens Mounted on Casters

Ovens mounted on casters must use a flexible connector (not supplied by Vulcan) that complies with the Standard for Connectors for Movable Gas Appliances, ANSI Z21.69 • CSA 6.16 and a quick-disconnect device that complies with the Standard for Quick-Disconnect Devices for Use With Gas Fuel, ANSI-Z21.41 • CSA 6.9. In addition, adequate means must be provided to limit movement of the appliance without depending on the connector and the quick-disconnect device or its associated piping to limit appliance movement. Attach the restraining device at the rear of the oven as shown in Fig. 1.

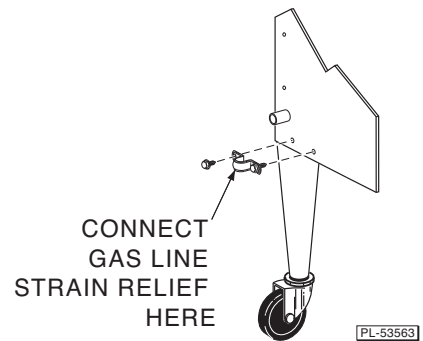


Fig. 1

Remove two screws from the rear of the oven and install the tie-down strap shipped with the casters using these screws (Fig. 1). Attach the gas line strain relief to the tie-down strap at the rear of the oven (Fig. 1).

If disconnection of the restraint is necessary, turn off the gas supply before disconnection. Reconnect this restraint prior to turning the gas supply on and returning the oven to its installation position.

Separate instructions for installing casters to the oven are included with the casters.

Note: If the oven is installed on casters and is moved for any reason, it is recommended that the oven be releveled front to back and side to side.

Assembling the Legs to the Oven

The legs must be installed on the bottom of the oven. Gently position the oven on its side, taking care not to scratch or damage it.

Attach each of the four leg assemblies to the bottom of the oven with the 24 bolts and lockwashers (six per leg). Carefully raise the oven to its normal position.

ASSEMBLING THE STAND TO THE OVEN

Attach each of the four leg assemblies to the bottom of the oven with the 24 bolts and lockwashers (six per leg). Carefully raise the oven to its normal position.

Attach the undershelf to the legs with eight bolts and lockwashers (two per leg).

Install the rack guides into the undershelf at desired locations (for pan or flat rack), then attach the rack supports to the top end of the rack guides. Attach rack supports to the leg assembly by removing one middle bolt and reattaching back through the end holes in the rack support (Fig. 2).

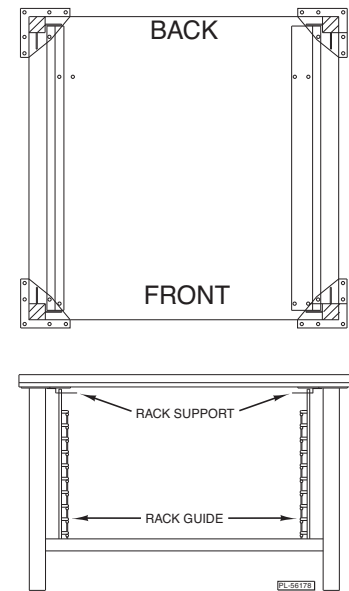


Fig. 2

ASSEMBLING STACKED OVENS

Unpack the ovens and stack kit. Position the oven to be used as the bottom oven on its back for access to the oven bottom, taking care not to scratch or damage it. The gas pipe protrudes beyond the back; provide for this when the oven is tipped back by resting it on suitable spacers (2 x 4" [51 x 102 mm], etc.). Attach the four leg or caster assemblies with the 24 bolts and lock washers.

Place the lower oven (with legs or casters) on the floor and remove two $\frac{7}{16}$ inch (11mm) diameter knockouts on each side of the exterior top. Install two locating studs to bottom of the top oven per stacking kit instructions. Remove the vent guard from the top oven.

Move the oven with legs to the installed position and place upper oven on top of lower oven placing the locating studs in the knockouts.

Install the stacking flue (Fig. 3) with the four screws provided.

Connect the piping between the top oven and bottom oven. For all gas supply connections, pipe joint compound must be resistant to the action of propane gases.

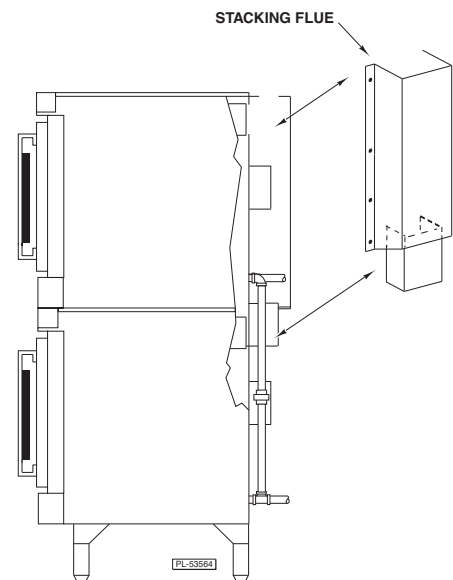


Fig. 3

LEVELING

Make sure that the oven racks are level in the final installed position. If the oven is installed on legs, turn the adjustable feet in or out to level the oven front-to-back and side-to-side. For non-stacked ovens on casters loosen set screws and turn casters in or out to level the oven front to back and side to side. Retighten set screws after leveling.

GAS CONNECTION

GAS DATA

MODEL	INPUT RATING		MANIFOLD PRESSURE	
	Natural	L.P. GASES (Propane)	Natural	L.P. GASES (Propane)
All models	50,000 BTU/hr	50,000 BTU/hr	5.0" W.C. (1.245 kPa)	10" W.C. (2.5 kPa)
Standing Pilot	50,000 BTU/hr	50,000 BTU/hr	3.7» W.C. (0.93 kPa)	10» W.C. (2.5 kPa)

Gas supply connections and any pipe joint compound must be resistant to the action of propane gases.

Location of the gas inlet is at the rear of the oven. Codes require that a gas shutoff valve must be installed in the gas line ahead of the oven.

Connect gas supply after leveling the oven. The gas supply line must be at least the equivalent of $\frac{3}{4}$ inch (19 mm) iron pipe. Make sure the pipes are clean and free of obstructions, dirt or pipe joint compound.

The ovens are equipped with fixed burner orifices which coincide with installation elevation.

Standard oven with electronic ignition is provided with a regulator integral to the gas solenoid valve and requires no external regulator.

Ovens with standing pilot must use external regulator provided with unit, set to pressures as indicated in above gas data chart.

NOTICE The gas pressure regulator provided with Standing Pilot must be used. This regulator is set for an outlet pressure of 3.7" W.C. (0.93 kPa) natural gas and 10" W.C. (2.5 kPa) propane gas.

▲ WARNING Prior to lighting, check all joints in the gas supply for leaks. Use soap and water solution. Do not use an open flame.

A. Check all joints prior to the gas valve (solenoid) before lighting unit.

B. Check all joints beyond gas valve (solenoid) after unit is lit.

After piping has been checked for leaks, all piping receiving gas should be fully purged to remove air.

TESTING THE GAS SUPPLY SYSTEM

When gas supply pressure exceeds $\frac{1}{2}$ psig (3.45 kPa), the oven and its individual shutoff valve must be disconnected from the gas supply piping system.

When gas supply pressure is $\frac{1}{2}$ psig (3.45 kPa) or less, the oven should be isolated from the gas supply system by closing its individual manual shutoff valve.

BURNER AIR ADJUSTMENT

Although main burner air is adjusted before shipment, it should be checked at the time of installation. Excessive air will cause flames to lift off a burner when cold or may cause flash-back during normal cycling of oven, particularly when propane gas is used.

Insufficient air will cause flames to burn with a yellow tip and result in carbon accumulation in the flame chamber and heat exchanger tubes.

Contact your local Vulcan-Hart servicer if required.

VENT SYSTEM

DO NOT obstruct the flow of flue gases from the flue located on the rear of the oven. It is recommended that the flue gases be ventilated to the outside of the building through a ventilation system installed by qualified personnel.

Ovens may use an optional down-draft diverter flue method. This optional down-draft diverter must be purchased from the oven manufacturer and vented to the outside; otherwise, the installation of any such device will void all oven certifications and warranties. This oven is suitable for connection to Type B Gas Vent when used with the draft hood provided.

From the termination of the flue to the filters of the hood venting system, a minimum clearance of 18 inches (457 mm) must be maintained.

Information on the construction and installation of ventilating hoods may be obtained from *Vapor Removal from Cooking Equipment*, NFPA Standard No. 96 (latest edition), available from the National Fire Protection Association, Batterymarch Park, Quincy, MA 02269.

ELECTRICAL CONNECTIONS

⚠ WARNING Electrical and grounding connections must comply with the applicable portions of the National Electrical Code and/or other local electrical codes.

⚠ WARNING Appliances equipped with a flexible electric supply cord are provided with a three-prong grounding plug. It is imperative that this plug be connected into a properly grounded three-prong receptacle. If the receptacle is not the proper grounding type, contact an electrician. Do not remove the grounding prong from this plug.

VC series ovens with 120 V/60 Hz/1 PH electrical specification are equipped with a cord and plug as standard equipment.

A wiring diagram is located on the inside of the control housing.

ELECTRICAL DATA

Models	V/Hz/PH	Minimum Circuit Ampacity Maximum Protective Device AMPS
All models*	120/60/1	15
	208/60/1	15
	240/60/1	15
	240/50/1	15
	220/380 (3W)/50/3	15
	220/380 (4W)/50/3	15
	240/415 (4W)/50/3	15

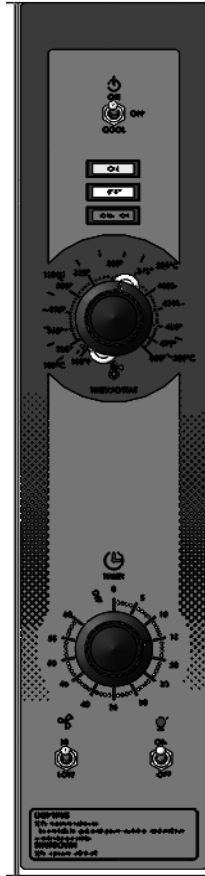
Compiled in accordance with the National Electric Code, NFPA-70 (latest edition).

*VC5 only available in 120/60/1

OPERATION

⚠ WARNING The oven and its parts are hot. Use care when operating, cleaning or servicing the oven.

CONTROLS: VC4GD, VC6GD, HGC5, HGC5D, WKGD

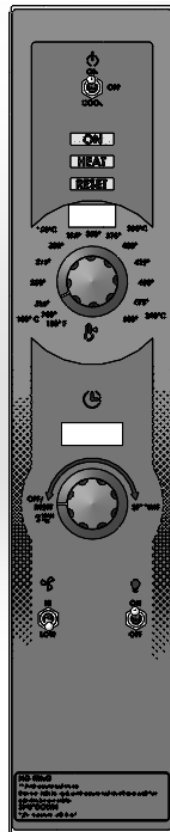


- Master Switch**
- ON – Turns oven control circuits on.
 - OFF – Turns oven control circuits off.
 - OVEN COOL – Allows the fan motor to run with the doors ajar to speed oven cooling.
- ON Light (Amber)** – Lit when Master Switch is ON.
- HEAT Light (White)** – Comes on and goes off when the burner cycles on and off.
- IGNITION Light (Red)** – Comes on if burner fails to ignite. When lighting the oven the IGNITION light flashes. Light stays on if burner fails to ignite.
- Thermostat** – Controls oven temperature during cooking operation.
- Timer** – Sets the bake time. Buzzer sounds continuously after timer counts down to 0. Oven does not turn off. Turn Timer to OFF to stop buzzer. When oven is not in use, keep Timer in OFF position.
- Fan Speed Switch** – Allows you to select HI or LOW fan speed.
- Light Switch** – Turns the lights in the oven ON or OFF.
-

OPERATION

⚠ WARNING The oven and its parts are hot. Use care when operating, cleaning or servicing the oven.

CONTROLS: VC5GD



- MASTER SWITCH** ON – Turns oven controls on
 OFF – Turns oven controls off
- OVEN COOL** – Allows fan motor to run with the doors ajar to speed oven cooling
- ON LIGHT HEAT LIGHT** – Lit when MASTER SWITCH is turned to ON.
 – Comes on and goes off when burner cycles on and off.
- THERMOSTAT** – Controls oven temperature. Displays error codes.
- TIMER** – Use to set the cooking time. Alarm sounds continuously when time has elapsed to 0. Oven does not turn off. Turn the timer counter clockwise 1/2 rotation to silence the alarm.
- FAN SPEED** – Adjust air velocity in the oven cavity.
 HI - Normal operating speed.
 LOW - Use this setting when cooking a delicate product like meringue, which could blow around in the oven.
- LIGHTS** – ON - Turns the interior lights on.
 – OFF - Turns the interior lights off.

CONTROLS (Standing Pilot)



Master Switch

- ON — Turns oven control circuits on.
- OFF — Turns oven control circuits off.
- SHABBOS — Puts oven in Sabbath mode allowing oven to operate when doors are open.

On Light (Amber)

— Lit when Master Switch is ON or in Shabbos mode.

Heat Light (White)

— Lit when thermostat calls for more heat.

Thermostat

— Controls oven temperature during cooking operation.

Timer (1 Hour)

— Sets the bake time. Buzzer sounds continuously after timer counts down to 0. Oven does not turn off. Turn Timer to OFF to stop buzzer. When oven is not in use, keep timer in OFF position.

Fan Speed

— Allows you to select HI or LOW Fan Speed.

Lights Switch

— Turns the oven lights ON or OFF.

BEFORE FIRST USE

Before using the oven for the first time, it must be “burned in” to release any odors that might result from heating the new surfaces in the chamber.

1. Using a clean, damp cloth, wipe the inside of the oven including the racks.
2. Close the oven doors.
3. Push the Master Switch to ON.
4. Turn the Thermostat to 300°F (149°C) and allow the oven to cycle for 2 hours or until no odor is detected before pushing the Master Switch to OFF.

LIGHTING MODEL VC4GD, VC5GD AND VC6GD OVENS

1. Turn the main gas supply ON.
2. Push the Master Switch to ON.
3. If the burner fails to light, push Master Switch OFF. Wait 5 minutes for retrieval.

If the oven does not light after three trials, turn off the main gas valve and call a qualified servicer.

SHUTDOWN INSTRUCTIONS

1. Turn Master Switch to OFF.

EXTENDED SHUTDOWN

1. Push Power Switch to OFF.
2. Turn gas and electrical power supplies OFF.

USING MODEL VC4GD, VC5GD AND VC6GD OVENS

Preheating

1. Select the proper rack arrangement for the product to be cooked. Refer to RACK ARRANGEMENTS, page 18.
2. Make sure the doors are closed.
3. Push Master Switch to ON. The amber ON light will come on, indicating that power to the oven is on.
4. Set the two-speed FAN SWITCH to the desired setting (without Roast & Hold models).
5. Set thermostat as desired. The HEAT light will come on and remain on until the oven reaches set temperature (approximately 10 to 15 minutes for settings from 300 to 400°F (149 to 204°C)). Refer to SUGGESTED COOKING GUIDELINES for temperatures and times for various products.

If the burner fails to light, the red IGNITION light will come on and remain on.

6. Prepare product and place in suitable pans. When the white HEAT light goes off, the oven has reached the desired preheat temperature.

LIGHTING OVEN (Standing pilot)

⚠ WARNING The oven fan continues to run when the oven door is opened. The oven contains hot air and steam. Stay clear while opening the door.

1. Turn on main gas supply.
2. With Master Switch in OFF position, lift access door in lower trim, light pilot while holding red button on control panel.
3. Keep holding button for 30 seconds after pilot ignites.
4. Once steady pilot flame is achieved, close access door.
5. Set to desired temperature and fan speed.
6. Turn Master Switch to ON for weekly operation or SHABBOS for Sabbath Mode operation.
7. If ignition fails, turn Master Switch to OFF position. Wait 5 minutes and repeat steps 1 through 6.

SHUTDOWN INSTRUCTIONS

1. Turn Master Switch to OFF position.

EXTENDED SHUTDOWN

1. Turn Master Switch to OFF position.
2. Turn main gas and electrical power supplies off.

Cooking

1. Open doors and load the product into the oven. Place pans in the center of the racks. Close doors.
2. Set the Timer. After the preset time lapses, turn Timer to OFF position to stop alarm.
3. When product is done, open doors and carefully remove cooked product from the oven. Care should be taken when wiping up spills, as oven is still hot.

End of Day

1. Turn Thermostat to lowest setting.
2. Push Master Switch to OVEN COOL. Leave door ajar while the fan is on to cool the oven.
3. When oven has cooled sufficiently, flip Master Switch to OFF.
4. Turn gas valve to OFF and clean oven.

Extended Shutdown

Repeat Steps 1 through 3 of End of Day. Unplug oven and shut off manual gas valve.

CONSERVING ENERGY— ALL MODELS

- Turn off unused equipment.
- Adjust menu patterns and cooking/baking schedules for optimum equipment use.
- Reduce thermostat settings in slack periods since gas equipment heats up and recovers quickly.
- Preheat only to required cooking temperature for specific food — not higher.
- Do not open the oven door unless absolutely necessary.
- Keep area around the oven door clean and free of food particles.
- Any obstruction that prevents the door from closing completely will adversely affect oven efficiency.

PROGRAMMABLE CONTROLS

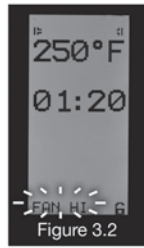
QUICK START / MANUAL SETTINGS



Turn the oven on and the display will show the last used setting.

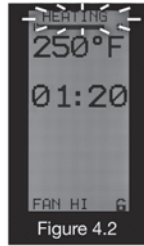
TEMPERATURE:

1. Press the TEMP button, the set temperature will flash. (Fig. 1.2)
2. Enter the desired temperature using the keypad. The new temperature will flash. (If needed, press the TEMP key and hold for 3 seconds, to display the internal oven temperature. The actual internal oven temperature will continue to be displayed as long as the key is depressed and for 3 seconds after the key is released. The default temperature display is the set temperature.)
3. Press the button to accept.



COOK TIME:

1. Press the TIME button, the set time will flash. (Fig. 2.2)
2. Enter the desired time in hours and minutes using the keypad. The new time will flash. (Example: Enter 1, display shows "00:01." Enter 120, display shows "01:20")
3. Press the button to accept or the key to cancel.



FAN SPEED:

1. Press the FAN button to toggle through fan speeds: HI, LOW, or OFF. (Fig. 3.2) (If gas heat source is selected, choosing fan off will disable heat. Verify that this setting matches the heat source of your oven.)

START COOK CYCLE:

1. Press the button. Display will show count down time. (More than 1 hour = HR:MIN, Less than 1 hour = MIN:SEC)

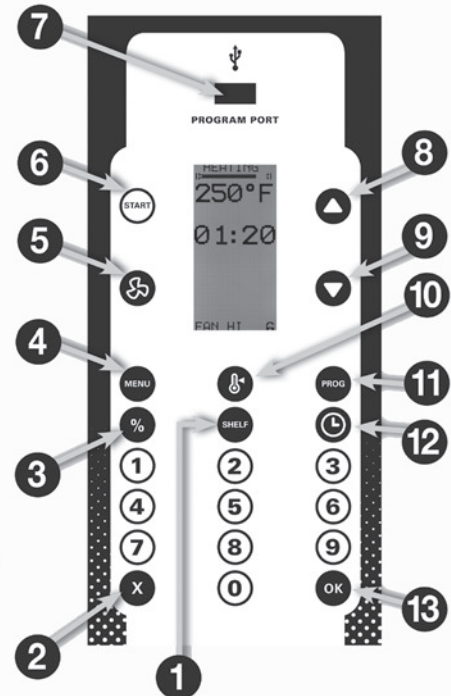
ADD TIME FEATURE:

1. ADD TIME to the current cooking cycle by pressing any of the Number Pad keys.
2. You may add from 1 to 10 minutes by pressing a number pad key during the timing cycle of any cook time. (Note the "0" key represents 10 minutes of add time)

NOTE: When the actual temperature is more than 10°F, below set temperature, the display will say HEATING (Fig. 4.2), with a heating progress bar shown below the HEATING. When the actual temperature is less than 10°F, below the set point, the HEATING display will change to READY.

DISPLAY PANEL GUIDE

- 1 **SHELF key**, used to assign menu items to up to 6 different shelves. The computer will track up to 6 menu items in 6 shelf positions.
- 2 **X key**, used to EXIT or cancel programming or operational functions.
- 3 **% key**, used to program the power level in 10% increments.
- 4 **MENU key**, used to select a menu item.
- 5 **FAN key**, used to set the fan speed.
- 6 **START key**, used to start a cooking timing cycle.
- 7 **PROG. PORT**, used with standard USB thumb drive, to import software updates and to upload cooking menus created externally with the C3700 menu editor.
- 8 **UP arrow**, used to scroll through menu and programming functions in the UP direction.
- 9 **DOWN arrow**, used to scroll through menu and programming functions in the DOWN direction.
- 10 **TEMP key**, used to set the cooking temperature, manually. Press and hold for 3 seconds to display the actual internal oven temperature.
- 11 **PROG key**, used to access all programming functions.
- 12 **TIME key**, used to set the cook time, manually.
- 13 **OK key**, used to accept programmed inputs.



RECOMMENDED TEMPERATURES AND TIMES FOR ROASTING

Meat roasting is most satisfactory at temperatures of 225 to 325°F (107 to 163°C) for beef, lamb, poultry and ham; 325°F (163°C) for fresh pork as recommended by USDA and American Meat Institute.

A pan, approximately 12 x 20 x 1" (305 x 508 x 25 mm) full of water, may be placed in the oven bottom. This water supplies humidity to reduce shrinkage. Water should be added if necessary during roasting.

Roasting pans should be no deeper than necessary to hold drippings (usually 2 to 2½" (51 to 64 mm)).

Cooking time and shrinkage may vary with roasting temperature, cut, grade of meat and degree of doneness. Smaller cuts will generally show greater time savings than larger cuts at a given temperature.

ROASTING TEMPERATURE CHART

PRODUCT	TEMP		APPROXIMATE TIMES
	°F	(°C)	
Standing Rib Roast — Oven Ready	250	(121)	3 to 4 Hrs. — Rare 4 to 4½ Hrs. — Med.
Rolled Rib Roasts — 20 to 22 lb (9.1 to 10 kg)	275	(135)	4 Hrs. — Med.
Veal Roast — 15 lb (6.8 kg)	300	(149)	3 Hrs. — Med. Well
Turkeys — 15 to 20 lb (6.8 to 9.1 kg)	300	(149)	3 Hrs.
Meat Loaf — 8 to 10 lb (3.6 to 4.5 kg)	350	(177)	45 to 60 Minutes

COOKING HINTS

Forced air convection cooking is faster than conventional oven cooking, and therefore overcooking is more common. Do not cook products faster than is practical for the best results. Since forced air convection supplies heat to the surface of the product, the thicker or more massive a product is for its type, the longer it will take to absorb enough heat to cook.

The oven will cook or bake full or partial loads at standard recipe temperatures. As with any oven, you may wish to use a temperature of up to 25 F° (-4 C°) higher or lower than the recipe for the particular product result that you prefer.

When established, convection oven times and control settings should be noted on your recipe.

SUGGESTED COOKING GUIDELINES

Recommended temperatures, times and number of racks are intended as a guide only. Adjustments must be made to compensate for variations in recipes, ingredients, preparation and personal preference in product appearance.

The oven does not require special recipes. Excellent results can be obtained from any good commercial recipe with reduced cooking times.

RECOMMENDED TEMPERATURES, TIMES AND NUMBER OF RACKS FOR BAKING

PRODUCT	TEMPERATURE		TIME IN MINUTES	NO. OF RACKS
	°F	(°C)		
Cakes				
Sheet Cakes				
18 x 26 x 1" (457 x 660 x 25 mm) pan	325-360	(163-182)	20 to 23	5
Scaled 4½ to 6 lb (2 to 2.7 kg)/pan				
Scaled 6 to 7½ lb (2.7 to 3.4 kg)/pan	335-350	(168-177)	22 to 25	4
Sheet Cakes				
18 x 26 x 2" (457 x 660 x 51 mm) pan	300-325	(149-163)	25 to 35	4
Scaled 10 to 12 lb (4.5 to 5.4 kg)/pan	300-325	(149-163)	25 to 35	3
Or, two 12 x 18 x 2" (305 x 457 x 51 mm) pans				
Scaled 5 to 6 lb (2.3 to 2.7 kg)/pan				
Angel or Sponge Cakes				
Sheet Pans 18 x 26 x 1" (457 x 660 x 25 mm)				
Scaled 5 to 6 lb (2.3 to 2.7 kg)/pan	300-325	(149-163)	15 to 20	4
Loaf or Tube Pans	315-340	(157-171)	20 to 30	3 – 4
Cupcakes	350-400	(177-204)	6 to 12	4
Frozen Fruit Pies	350-375	(177-191)	30 to 45	3 – 4
Pumpkin or Custard Pies	300-350	(149-177)	30 to 45	3 – 4
Cobblers				
12 x 18 x 2" (305 x 457 x 51 mm) or	350-400	(177-204)	30 to 45	3 – 4
12 x 20 x 2½" (305 x 508 x 64 mm)				
Meringue Pies	350-425	(177-218)	6 to 10	2 – 4
Fruit Turnovers				
18 x 26 x 1" (457 x 660 x 25 mm) pans	350-375	(177-191)	15 to 25	3 – 5
NOTE: Pies and cobblers; fruit, custard and pumpkin pies in pie pans should be placed on 18 x 26 x 1" (457 x 660 x 25 mm) pans for baking.				
Cookies				
Rolled or Pressed	350-400	(177-204)	6 to 12	3 – 5
Drop	350-400	(177-204)	6 to 15	3 – 5
Brownies	350	(177)	12 to 20	4 – 5
Yeast Breads NOTE: Yeast breads should be fully proofed for best results.				
Rolls — 1 oz (28 g)	350-400	(177-204)	5 to 10	3 – 4
1½ to 2½ oz (43 to 71 g)	350-400	(177-204)	8 to 15	3 – 4
Loaf Bread — 1 lb (453.4 g)	325-375	(163-191)	20 to 40	3(30) Pans 2(20) Pans
Sweet Rolls & Danish Pastry	325-375	(163-191)	5 to 15	3 – 4
Biscuits — Rolled ½" (13 mm) Thick	350-400	(177-204)	5 to 15	3 – 4
Muffins				
18 x 26 x 1" (457 x 660 x 25 mm) pan, 5 to 7 lb (2.3 to 3.2 kg)/pan	325-375	(163-191)	6 to 18	3 – 4
18 x 26 x 2" (457 x 660 x 51 mm) pan, 8 to 20 lb (3.6 to 9 kg) per pan	335-400	(168-204)	10 to 20	4
18 x 26 x 2" (457 x 660 x 51 mm) pan, 8 to 20 lb (3.6 to 9 kg) per pan	335-400	(168-204)	15 to 25	4
Corn Muffins	335-385	(168-196)	10 to 20	3 – 4

REHEATING PREPARED FOODS

PRODUCT	TEMPERATURE °F (°C)	TIME IN MINUTES	NO. OF RACKS
Frozen French Fries	400-450 (204-232) 2 to 3	6 to 8	4
Frozen TV Dinners	350-400 (177-204)	10 to 12	2 – 5
Frozen Entrees ³ / ₄ to 1" (19 to 25 mm) thick	300-350 (149-177)	10 to 20	2 – 5
Frozen Meals , 8 oz (226 g) Foil Pkg.	350-400 (177-204)	20 to 30	2 – 5
Fish Sticks & Portions Frozen Breaded, 1 oz (28 g)	350-400 (177-204)	6 to 10	2 – 4
2 ¹ / ₂ to 3 oz (71 to 85 g)	350-375 (177-191)	8 to 15	2 – 4
Chicken Pieces Broiled or Oven Fried			
2 to 2 ¹ / ₂ lb (0.9 to 1.1 kg)/bird	375-425 (191-218)	8 to 15	2 – 5
2 ¹ / ₂ to 3 lb (1.1 to 1.4 kg)/bird	350-400 (177-204)	15 to 25	2 – 4
Lobsters — 1 to 1 ¹ / ₂ lb (0.45 to 0.7 kg)	400-450 (204-232)	8 to 14	2 – 4
Lobster Tails — Frozen ¹ / ₂ to ³ / ₄ lb (0.2 to 0.3 kg)	350-400 (177-204)	10 to 15	2 – 4
Hamburger Patties 8 per lb (0.45 kg), med. to well done	400-450 (204-232)	5 to 6	2 – 6
6 per lb (0.45 kg)	400-450 (204-232)	7 to 10	2 – 6
4 per lb (0.45 kg)	375-450 (191-232)	8 to 12	2 – 6
CASSEROLES			
Food Service Pans 2 to 3" (51 to 76 mm) deep	325-375 (162-191)	15 to 25	
3 to 4" (76 to 102 mm) deep	325-375 (162-191)	20 to 35	2 – 4
Ramekins or Foil Pans Up to 1 ¹ / ₂ " (38 mm) deep	350-400 (177-204)	5 to 6	4 – 5
Frozen		10 to 15	2 – 4
MISCELLANEOUS PRODUCTS			
Baked Potatoes 120 count per 50 lb (22.7 kg)	400-450 (204-232)	20 to 25	2 – 5
100 count per 50 lb (22.7 kg)	400-450 (204-232)	25 to 40	2 – 5
80 count per 50 lb (22.7 kg)	400-425 (204-218)	30 to 45	2 – 5
Pizzas — Frozen or With Prebaked Crust	425-475 (218-247)	5 to 10	2 – 4
Grilled Cheese Sandwiches	400-425 (204-218)	8 to 10	2 – 4

CLEANING

⚠ WARNING Disconnect the electrical power to the machine and follow lockout / tagout procedures.

Allow the oven to cool before cleaning.

Snorkel

The snorkel (heat circulation tube), located in the back of oven cavity, should never be blocked. The snorkel should be kept clean at all times for proper operation of the oven. Clean with standard oven cleaner at least once a week. Be sure to thoroughly clean all cleansing solution off before using the oven again. It is also recommended that the oven be run at 400°F (204°C) for 20 minutes before using to burn off any cleaning solution that was not thoroughly rinsed from the snorkel.

Daily

Exterior stainless steel oven panels should be cleaned with a damp cloth. Stubborn soil may be removed with detergent. (DO NOT USE DAWN®.) Rinse thoroughly and wipe dry with a soft, clean cloth.

Clean porcelain oven interior daily with soap or detergent and water. Rinse thoroughly and wipe dry with a soft, clean cloth.

Nickel-plated racks and rack supports are dishwasher-safe and may be removed for cleaning.

⚠ WARNING Wait for oven doors to cool before washing. Splashing or submerging hot doors in water may cause the glass to shatter. The VC5 oven doors(when cool) may be removed by opening to a 90 degree angle and lifting up. Clean in a dishwasher or by hand. Allow to drip dry before replacing.

For exterior burned-on foods and grease which resist simple soap and water cleaning, an abrasive cleanser (scouring powder) mixed into a paste may be used. Apply with stainless steel wool or sponge, always rubbing with the “grain.” This treatment is equally effective for “heat tint” (slightly darkened areas caused by oxidation). Again, remember to rub in the direction of the polish lines. Rinse with clear water and dry with a soft cloth.

Do not use scouring powder on the glass window; it will scratch and fog the glass.

After processing some foods at low temperatures, odors may linger in the oven. These odors may be cleared by setting the thermostat to 500°F (260°C) and allowing the oven to run unloaded for 30 to 45 minutes.

GUIDELINES FOR MAINTAINING STAINLESS STEEL SURFACES

There are three basic things that can break down the surface layer of stainless steel and allow corrosion to develop: 1) Abrasion; 2) Deposits and water and 3) Chlorides.

Avoid abrasion from rubbing with steel pads, wire brushes or scrapers that can leave iron deposits on stainless steel; instead, use plastic scouring pads or soft cloths. For stubborn stains, use products such as Cameo, Talc or Zud First Impression. Always rub parallel to the polish lines or with the grain.

Hard water can leave deposits that promote rust on stainless steel. Treated water from softeners or certain filters can eliminate these mineral deposits. Deposits from food must be properly removed by cleaning. Use mild detergent and nonchloride cleaners. Rinse thoroughly. Wipe dry. If using chloride-containing cleaners or sanitizers, rinse and repeat to avoid stainless steel corrosion. Where appropriate, apply a polish recommended for stainless steel (such as Benefit or Super Sheen) for extra protection and lustre.

MAINTENANCE

⚠ WARNING The oven and its parts are hot. Use care when operating, cleaning or servicing the oven.

⚠ WARNING Disconnect the electrical power to the machine and follow lockout / tagout procedures.

LUBRICATION

The fan motor comes with sealed bearings and requires no lubrication.

VENT

Periodically check the flue, when the oven is cool, to be sure it is free of obstructions.

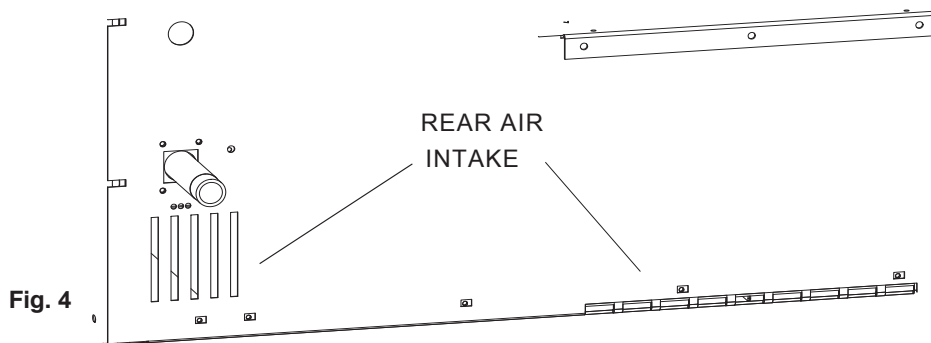
AIR INTAKE

Rear air intake slots and holes should be cleaned with a damp cloth regularly. FIG 4.

⚠ WARNING

The rear air intakes must be kept clear.

Noncompliance may lead to component failure.



REPLACING SIDE MOUNTED LAMPS

1. Allow oven to cool.
2. Remove all racks by pulling forward, lifting up and out.
3. Remove the right rack guide by lifting up and pulling out.
4. Pry glass cover off by sliding a flat tool under the bottom lip of the cover.
5. Replace the bulb. Gloves should be worn while handling bulbs.
6. Reassemble glass cover and racks by reversing the disassembly procedure.

REPLACING REAR MOUNTED LAMPS

1. Allow oven to cool.
2. Remove all racks by pulling forward, lifting up and out.
3. Unscrew glass dome from light body.
4. Replace the bulb.
5. Reassemble glass dome and racks.

TROUBLESHOOTING

Problem	Possible Cause	Suggested Corrective Action
Uneven browning or overcooked edges.	<ol style="list-style-type: none"> Oven is too hot. Too many racks used. 	<ol style="list-style-type: none"> Reduce temperature setting (refer to Cooking Guidelines). Use fewer racks to allow for better circulation.
Product pulling to edge of pan or spilling	<ol style="list-style-type: none"> Oven is not level. Sheet pans are warped. 	<ol style="list-style-type: none"> Level oven racks- side to side and front to back. The rack should be level side to side and level to 1/8"(3mm) low at the front from front to back. Keep pans used for baking batter separate from general purpose pans. If any pan shows a tendency to warp, remove it from the baking group.
Excessive shrinkage.	<ol style="list-style-type: none"> Failure to maintain water in oven. Roasting temperature too high. 	<ol style="list-style-type: none"> Place pan of water in bottom of oven measuring 12x20x1" (305x508x25mm). Reduce temperature.
Ignition light remains lit for more than 20 seconds after 3 trials.	No gas supply.	Turn oven off for 5 minutes before attempting to relight. Check gas supply valves to be sure they are open.
VC5 oven displays E# on the temperature display.	Oven has detected an error and thrown an error code.	See table below. Contact your service representative and tell them the error code number.

VC5 Error Codes

Error Number	Error Descriptions	Likely Issues
1	Open Temperature Probe	<ol style="list-style-type: none"> Temperature probe failure. Temperature control board failure.
2	Shorted Temperature Probe	<ol style="list-style-type: none"> Temperature probe failure. Temperature control board failure.
3	<p>No temperature increase</p> <p>Note: This means the oven has been calling for heat for 8 minutes and the temperature control board has not measured an increase</p>	<p>If burner is on and running properly:</p> <ol style="list-style-type: none"> Temperature control board failure. <p>If burner is not on:</p> <ol style="list-style-type: none"> Relay failure. 24V transformer failure. Motor/Centrifugal switch failure. Temperature control board failure. Ignition board failure.
4	<p>PCB Overheat</p> <p>Note: This means the temperature control board is experiencing temperatures above its rated limit. This can reduce the life of the oven control components.</p>	<ol style="list-style-type: none"> Clogged rear air intake. See page 20. Cooling fan failure.
5	No output	Temperature control board failure.
6	Output shorted	Temperature control board failure.
7	No heat signal from ignition board	<ol style="list-style-type: none"> Problem with gas supply/gas valve. Ignitor failure/Improper spark gap. Flame sensor failure. Ignition board failure Temperature control board failure. High limit is open.

SERVICE AND PARTS INFORMATION

To obtain service and parts information concerning this model, contact the Vulcan-Hart Service Agency in your area (refer to our website, www.vulcanhart.com for a complete listing of Authorized Service and Parts depots).

DÉPANNAGE

Problème	Cause possible	Correction suggérée
Brûlissage inégal ou cuisson excessive au bord des plaques.	1. Le four est trop chaud. 2. Trop grand nombre de grilles.	1. Réduire la puissance du réglage de température (se reporter au Guide de cuisson). 2. Réduire le nombre de grilles pour permettre une meilleure circulation.
Aliments qui inclinent d'un côté de la plaque ou qui renversent.	1. Four dénivélé. 2. Tôles gauches.	1. Nivelier les grilles du four latéralement et de l'avant vers l'arrière. Celles-ci doivent être parfaitement droites d'un côté à l'autre et 3 mm (1/8 po) plus basses à l'avant qu'à l'arrière. 2. Séparer les plaques à pâtisserie des plaques tout usage. Si une plaque a tendance à gauchir, ne plus l'utiliser.
Fiérissement excessif.	1. Manque d'eau dans le four. 2. Température de rôtissage trop élevée.	1. Placer un bac d'eau de 305 x 508 x 25 mm (12 x 20 x 1 po) dans le bas du four. 2. Réduire la température.
Après trois tentatives, le voyant allumage demeure allumé pendant plus de 20 secondes.	Aucune alimentation en gaz.	<ul style="list-style-type: none"> • Éteindre le four pendant 5 minutes avant une autre tentative d'allumage. • S'assurer que les robinets de gaz sont ouverts.
Le four a détecté une erreur et émis un code d'erreur.	Le four V/C5 indique E# sur l'afficheur de température.	Contactez votre fournisseur de service et lui donner le numéro de code.

V/C5 – Codes d'erreur

Numéro d'erreur	Descriptions des erreurs	Causes probables
1	Capteur de température ouvert	1. Défaillance du capteur de température. 2. Défaillance de la carte de contrôle de température.
2	Capteur de température court-circuité	1. Défaillance du capteur de température. 2. Défaillance de la carte de contrôle de température.
3	La température ne monte pas Remarque : ceci veut dire que le four a demandé de la chaleur depuis 8 minutes et que la carte de contrôle de la température n'a pas mesuré d'augmentation.	1. Défaillance du relais. 2. Défaillance du transformateur 24V. 3. Panne de moteur/interrupteur centrifuge. 4. Défaillance de la carte de contrôle de la température. 5. Défaillance de la carte d'allumage.
4	Surchauffe de la carte PCB Remarque : Ceci veut dire que la carte de contrôle chauffe à des températures au-delà de la limite nominale. La durée de la vie des composants de contrôle du four peut être réduite.	1. Admission d'air arrière bouchée. Voir en page 20. 2. Défaillance du ventilateur de refroidissement.
5	Aucun signal capté depuis la carte de contrôle de la température	Défaillance de la carte de contrôle de la température.
6	Court-circuit détecté dans la carte de contrôle de la température	Défaillance de la carte de contrôle de la température.
7	Aucun signal de chaleur depuis la carte de contrôle de l'allumage.	1. Problème sur la source/la valve du gaz. 2. Panne de l'allumeur/éclateur incorrect. 3. Défaillance du détecteur de flamme. 4. Défaillance de la carte d'allumage. 5. Défaillance de la carte de contrôle de la température. 6. La limite supérieure est ouverte.

SERVICE DE L'ENTRETIEN ET PIÈCES DE RECHANGE

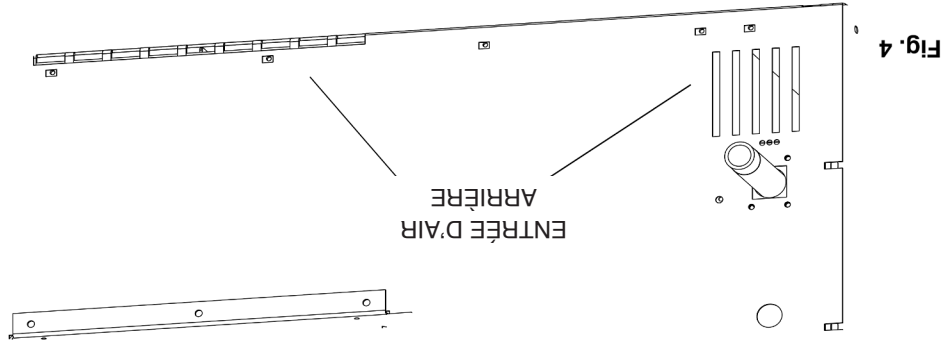
Pour tout renseignement sur l'entretien ou les pièces de ce four, communiquer avec le service de l'entretien Vulcan-Hart le plus près. Pour une liste complète de nos succursales de service de l'entretien et de pièces autorisées, visiter notre site Web à l'adresse : www.vulcanhart.com.

1. Laisser refroidir le four.
2. Enlever toutes les grilles en les tirant vers soi et en les soulevant.
3. Dévisser le dôme de la lampe.
4. Remplacer l'ampoule.
5. Remettre le dôme et les grilles en place.

REMPACEMENT DES AMPOULES ARRIÈRES :

1. Laissez refroidir le four.
2. Retirez toutes les grilles en les tirant vers l'avant et en les soulevant pour les sortir.
3. Retirez le guide de la grille de droite en le soulevant et en le tirant vers l'extérieur.
4. Soulevez le couvercle en verre en glissant un outil plat sous la lèvre inférieure du couvercle.
5. Remplacez l'ampoule. Vous devriez porter des gants travaillés sur des ampoules.
6. Remettez le couvercle de verre et les grilles en place en inversant la méthode de démontage.

REMPACEMENT DES AMPOULES LATÉRALES :



Les entrées d'air arrière doivent rester dégagées. Le non-respect de cette procédure peut entraîner le non-fonctionnement du composant.

▲AVERTISSEMENT :

Les fentes et les trous de l'entrée d'air arrière devraient être nettoyés régulièrement avec un chiffon humide. FIG. 4.

ENTRÉE D'AIR

Une fois l'an, il faut vérifier le conduit d'évacuation lorsqu'il est froid pour s'assurer qu'il n'est pas obstrué.

VENTILATION :

Le moteur du ventilateur est pourvu de roulements scellés ne nécessitant aucune lubrification.

LUBRIFICATION :

verrouillage et d'étiquetage.

▲AVERTISSEMENT : Couper l'alimentation électrique de l'appareil et suivre les procédures de

lors de l'exploitation, du nettoyage et de l'entretien de cet appareil. ▲AVERTISSEMENT : Le four et ses composants sont chauds. Exercer une extrême prudence

ENTRETIEN

Les trois causes pouvant altérer la surface en acier inoxydable et causer la corrosion sont les suivantes : 1) l'abrasion; 2) les dépôts et l'eau; et 3) les chlorures.

Pour éviter l'abrasion, ne pas frotter avec des tampons en acier, des brosses métalliques ou des racloirs qui pourraient laisser des dépôts de fer sur l'acier inoxydable; il est préférable d'utiliser des tampons à récurer en plastique. Pour les tâches rebelles, utiliser des produits tels que Cameo, Talc ou Zud First Impression. Toujours frotter parallèlement dans le sens du "grain".

L'eau dure peut laisser des dépôts qui peuvent accélérer le processus de la rouille sur l'acier inoxydable. Des adoucisseurs pour le traitement de l'eau ou certains filtres peuvent aider à éliminer ces dépôts minéraux. Nettoyer soigneusement les dépôts d'aliments en les lavant. Utiliser un détergent doux et des nettoyeurs ne contenant pas de chlorures. Rincer soigneusement et essuyer. Si vous devez utiliser des nettoyeurs contenant de la chlorure ou des désinfectants, il vous faut **rincer** immédiatement pour éviter la corrosion de l'acier inoxydable. Si nécessaire, appliquer un poli recommandé pour l'acier inoxydable (tel que Benefit ou Super Sheen) pour une protection additionnelle et un lustre plus éclatant.

GUIDE POUR PRÉSERVER LES SURFACES EN ACIER INOXYDABLE

Après la cuisson d'aliments à des basses températures, il peut se dégager des odeurs dans le four. Pour les enlever, régler le thermostat à 260 °C (500 °F) et faire fonctionner le four de 30 à 45 minutes sans rien mettre dedans.

Ne pas utiliser de poudre à récurer sur le hublot; elle pourrait égratigner et voiler la vitre.

Dans le cas de tâches rebelles de recuit ou de graisse qui résistent à l'eau et au savon, il peut s'avérer nécessaire d'utiliser une pâte de nettoyage abrasif (poudre à récurer). Appliquer cette pâte au moyen d'un tampon en acier inoxydable ou d'une éponge en prenant soin de toujours frotter dans le sens du "grain". Ce traitement est tout aussi efficace pour les tâches de décoloration (zones légèrement noircies par l'oxydation). Toujours frotter dans le sens des lignes de revêtement. Rincer à l'eau claire et essuyer au moyen d'un chiffon doux.

▲ AVERTISSEMENT : Laissez refroidir les portes des fours avant de les laver. Arroser ou

submerger des portes chaudes dans l'eau peut en faire éclater les vitres. Les portes des fours VC5 (lorsque refroidies) peuvent être retirées en les ouvrant à un angle de 90° et en les tirant vers le haut. Nettoyer au lave-vaisselle ou à la main. Laisser sécher avant de les remettre en place.

Nettoyer les panneaux en inox extérieurs au moyen d'un chiffon humide. Enlever les tâches rebelles au moyen d'un détergent. (NE PAS UTILISER LE DÉTERGENT "DAWN"). Rincer soigneusement et essuyer au moyen d'un chiffon doux et propre.

Les grilles nickelées et les supports à grilles sont lavables au lave-vaisselle et doivent être enlevées pour le nettoyage.

Nettoyer l'intérieur du four en porcelaine quotidiennement avec de l'eau savonneuse. Rincer soigneusement et essuyer au moyen d'un chiffon doux et propre.

Nettoyage quotidien

Le tube de circulation de chaleur (Snorkel) situé à l'arrière de la cavité du four ne doit jamais être bloqué. Il doit toujours demeurer propre pour un bon fonctionnement du four. Le nettoyage à l'aide d'un nettoyeur à four standard au moins une fois par semaine. Bien rincer le four pour qu'il ne reste aucune solution de nettoyage avant de s'en servir à nouveau. Il est aussi conseillé de faire fonctionner le four à 204 °C (400 °F) pendant 20 minutes avant de l'utiliser pour brûler toute solution de nettoyage qui n'aurait pas été soigneusement rincée sur le tube de circulation de chaleur.

Snorkel

Laisser refroidir le four avant le nettoyage.

▲ AVERTISSEMENT : Couper l'alimentation électrique de l'appareil et suivre les procédures de verrouillage et d'étiquetage.

NETTOYAGE

			Pommes de terre au four 120 par 22,7 kg (50 lb) 100 par 22,7 kg (50 lb) 80 par 22,7 kg (50 lb)
2 à 5	20 à 25	204 à 232 (400 à 450)	
2 à 5	25 à 40	204 à 232 (400 à 450)	
2 à 5	30 à 45	204 à 218 (400 à 425)	
2 à 4	5 à 10	218 à 247 (425 à 475)	Pizzas – Surgelées ou à pâte précuite
2 à 4	8 à 10	204 à 218 (400 à 425)	Sandwiches au fromage fondant

ALIMENTS DIVERS

			Bacs gastronomes 51 à 76 mm (2 à 3 po) de profondeur 76 à 102 mm (3 à 4 po) de profondeur
2 à 4	15 à 25	162 à 191 (325 à 375)	
2 à 4	20 à 35	162 à 191 (325 à 375)	
4 à 5	5 à 6	177 à 204 (350 à 400)	Ramequins ou plats en aluminium Jusqu'à 38 mm (1 1/2 po) de profondeur Surgelés

CASSEROLES

PRODUIT	TEMPÉRATURE °C (°F)	TEMPS DE CUISSON EN MINUTES	NOMBRE DE GRILLES
Pommes de terre frites congelées	204 à 232 (400 à 450)	6 à 8	2 à 3 2 à 5 2 à 5 4
Repas rapides surgelées (Plateaux télé)	177 à 204 (350 à 400)	10 à 12	2 à 5 2 à 5
Entrées surgelées	149 à 177 (300 à 350)	10 à 20	2 à 5
Repas congelés , 226 g (8 oz). Enveloppés dans l'aluminium	177 à 204 (350 à 400)	20 à 30	2 à 5
Bâtonnets et portions de poisson Panés et congelés, 28 g (1 oz) 71 à 85 g (2 1/2 à 3 oz)	177 à 204 (350 à 400) 177 à 191 (350 à 375)	6 à 10 8 à 15	2 à 4 2 à 4
Morceaux de poulet Grillés sur le grill ou au four 0,9 à 1,1 kg (2 à 2 1/2 lb) 1,1 à 1,4 kg (2 1/2 à 3 lb)	191-218 (375-425)	8 à 15	2 à 5 2 à 4 2 à 4
Homards – 0,45 à 0,7 kg (1 à 1 1/2 lb) Queues de homard – Surgelées 0,2 à 0,3 kg (1/2 à 3/4 lb)	177 à 204 (350 à 400) 204 à 232 (400 à 450)	15 à 25 8 à 14	2 à 4 2 à 4 2 à 4
Queues de homard – Surgelées 0,2 à 0,3 kg (1/2 à 3/4 lb)	177 à 204 (350 à 400)	10 à 15	2 à 4
Fricadelles de boeuf 8 par 0,45 kg (1 lb) à point à bien cuit 6 par 0,45 kg (1 lb) 4 par 0,45 kg (1 lb)	204 à 232 (400 à 450) 204 à 232 (400 à 450) 191 à 232 (375 à 450)	5 à 6 7 à 10 8 à 12	2 à 6 2 à 6 2 à 6

RÉCHAUFFAGE D'ALIMENTS PRÉPARÉS

TEMPÉRATURES, TEMPS DE CUISSON ET NOMBRE DE GILLES RECOMMANDÉS POUR LA CUISSON

PRODUIT	TEMPÉRATURE (°F)	TEMPS DE CUISSON EN MINUTES	NOMBRE DE GILLES
Gâteau Gâteaux cuits sur plaques Plaques de 457 x 660 x 25 mm (18 x 26 x 1 po) Poids de 2 à 2,7 kg (4 1/2 à 6 lb) par plaque Poids de 2,7 à 3,4 kg (6 à 7 1/2 lb) par plaque Gâteaux cuits sur plaques Plaques de 457 x 660 x 51 mm (18 x 26 x 2 po) Poids de 4,5 à 5,4 kg (10 à 12 lb) par plaque Ou, deux plaques de 305 x 457 x 51 mm (12 x 18 x 2 po) Poids de 2,3 à 2,7 kg (5 à 6 lb) par plaque Gâteaux des anges ou de Savoie Plaques de 457 x 660 x 25 mm (18 x 26 x 1 po) Poids de 2,3 à 2,7 kg (5 à 6 lb) par plaque	163 à 182 (325 à 360)	20 à 23	5
	168 à 177 (335 à 350)	22 à 25	4
	149 à 163 (300 à 325)	25 à 35	4
	149 à 163 (300 à 325)	25 à 35	3
	163 à 182 (325 à 360)	15 à 20	4
	157 à 171 (315 à 340)	20 à 30	3 à 4
	177 à 204 (350 à 400)	6 à 12	4
	177 à 191 (350 à 375)	30 à 45	3 à 4
	149 à 177 (300 à 350)	30 à 45	3 à 4
	177 à 204 (350 à 400)	30 à 45	3 à 4
	177 à 218 (350 à 425)	6 à 10	2 à 4
	177 à 191 (350 à 375)	15 à 25	3 à 5
177 à 204 (350 à 400)	6 à 12	3 à 5	
177 à 204 (350 à 400)	6 à 15	3 à 5	
À la cuillère Roulés ou aplatis la cuisson	177 à 204 (350 à 400)	6 à 12	3 à 5
Biscuits à la citrouille dans des assiettes à tarte devraient être placées sur des plaques de 457 x 660 x 25 mm (18 x 26 x 1 po) pour	177 à 204 (350 à 400)	6 à 15	3 à 5
Carres au chocolat NOTA sur le pain à la levure : pour de meilleurs résultats, le pain à la levure devrait être fermenté en profondeur	177 à 204 (350 à 400)	5 à 10	3 à 4
43 à 71 g (1 1/2 à 2 1/2 oz) 453,4 g (1 lb)	177 à 204 (350 à 400)	8 à 15	3 à 4
Petits pains – 28 g (1 oz) Miches de pain – 453,4 g (1 lb)	177 à 204 (350 à 400)	5 à 10	3 à 4
20 à 40	20 à 40	20 à 40	3(30) plaques
Brioche et pâtisseries danoises Biscuits – Roulés de 13 mm (1/2 po) d'épaisseur	163 à 191 (325 à 375)	5 à 15	3 à 4
177 à 204 (350 à 400)	5 à 15	3 à 4	3 à 4
163 à 191 (325 à 375)	5 à 15	3 à 4	3 à 4
163 à 191 (325 à 375)	6 à 18	3 à 4	3 à 4
168 à 204 (335 à 400)	10 à 20	4	4
168 à 204 (335 à 400)	15 à 25	4	4
168 à 196 (335 à 385)	10 à 20	3 à 4	3 à 4

Le four ne requiert pas de recettes spéciales. Vous pouvez obtenir d'excellents résultats pour toute bonne recette commerciale avec des temps de cuisson réduits.

Les températures, les temps de cuisson, le nombre de grilles sont suggérés à titre d'exemple seulement. Ils devront être adaptés aux recettes, aux ingrédients, à l'installation et aux goûts personnels.

GUIDE DE CUISSON SUGGÉRÉ

Lorsque ceci sera établi, les temps de cuisson du four à convection et les réglages des commandes devraient être notés sur votre recette.

Le four cuira des charges entières ou partielles aux températures standards des recettes. Comme tout autre four, vous voudrez peut-être utiliser une température de cuisson variant de -4 °C (25 °F) au-dessus ou en bas de la recette pour obtenir les résultats d'un produit que vous préférez.

La cuisson à circulation d'air forcé est plus rapide que la cuisson dans un four traditionnel, par conséquent, la surcuisson est plus commune. Pour obtenir de bons résultats, ne pas cuire les produits plus rapidement qu'il ne le faut. Comme la circulation d'air forcé fournit de la chaleur à la surface du produit, si le produit est plus épais ou plus massif, il prendra plus de temps pour absorber assez de chaleur pour la cuisson.

CONSEILS D'UTILISATION

PRODUIT	TEMPÉRATURE °C (°F)	TEMPS DE CUISSON APPROXIMATIF
Côtes de bœuf – Prêtes pour la cuisson	121 (250)	3 à 4 h (saignant) 4 à 4 h 30 (à point) 4 h (à point)
Côtes de bœuf désossées – 9,1 à 10 kg (20 à 22 lb)	135 (275)	4 h (à point)
Rôti de veau – 6,8 kg (15 lb)	149 (300)	3 h (à point à bien cuit)
Dindes – 6,8 à 9,1 kg (15 à 20 lb)	149 (300)	3 h
Pain de viande – 3,6 à 4,5 kg (8 à 10 lb)	177 (350)	45 à 60 min

TEMPÉRATURE DE RÔTISSAGE

Le temps de cuisson et la perte de poids varient selon la température de rôtissage, la coupe et la catégorie de viande ainsi que le degré de cuisson. À une même température, les petits morceaux de viande cuisent en général plus rapidement que les gros morceaux.

Les plats à rôti ne doivent pas excéder la profondeur requise pour contenir la graisse, soit de 51 à 64 mm (2 à 2 1/2 po) en général.

Placer un plat rempli d'eau (environ 305 x 508 x 25 mm [12 x 20 x 1 po]) dans le four. L'eau dégage de l'humidité et réduit le flétrissement. En ajouter pendant le rôtissage, au besoin.

et le jambon et à 163 °C (325 °F) pour le porc.

Le rôtissage doit varier idéalement entre 107 et 163 °C (225 et 325 °F) pour le bœuf, l'agneau, la volaille

TEMPÉRATURES ET TEMPS DE CUISSON RECOMMANDÉS POUR LE RÔTISSAGE

Selon le ministère de l'Agriculture des États-Unis et l'American Meat Institute, les températures de

COMMANDES PROGRAMMABLES

GUIDE DE DÉMARRAGE / RÉGLAGES MANUELS

TEMPS DE CUISSON :

1. Appuyez sur la touche **TIME** (⌚) et le temps programmé clignotera. (Fig. 2,2).

2. À l'aide du clavier entrez le temps désiré en heures et en minutes. Le nouveau temps va clignoter. (Exemple : si vous entrez 1, l'afficheur indique « 00 : 01 ». Si vous entrez 120, l'afficheur indique « 01 : 20 »).

3. Appuyez sur la touche **OK** pour l'acceptation ou sur la touche **X** pour annulation.

VITESSE DU VENTILATEUR :

1. Appuyez sur le bouton **FAN** pour basculer entre les vitesses de ventilation : HI, LOW ou OFF (Haute, Basse ou Arrêt).

(Fig. 3,2) (Si la source de chaleur sélectionnée est le gaz, le chauffage sera désactivé si vous avez choisi OFF [Arrêt]. Assurez-vous que ce réglage concorde avec la source de chaleur de votre four.)

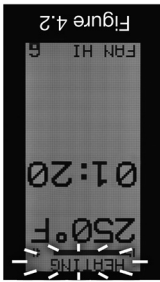


Figure 4.2

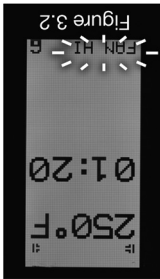


Figure 3.2

Mettez le four en marche et l'afficheur indiquera le dernier réglage utilisé.

TEMPÉRATURE :

1. Appuyez sur la touche **TEMP** (🔥). La température programmée clignotera. (Fig. 1,2).

2. À l'aide du clavier, entrez la température désirée. La nouvelle température va clignoter. (Si nécessaire, appuyez sur la touche **TEMP** et retenez-la 3 secondes pour afficher la température interne du four. Celle-ci continuera de s'afficher aussi longtemps que la touche demeurera enfoncée et pendant 3 secondes après l'avoir relâchée. La température par défaut qui est affichée est celle que vous avez programmée.)

3. Appuyez sur la touche **OK** pour l'accepter

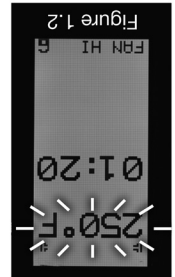


Figure 1.2

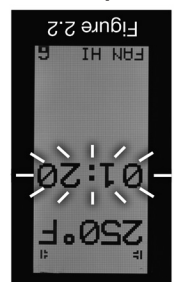


Figure 2.2

POUR DÉMARRER UN CYCLE DE CUISSON :

1. Appuyez sur la touche **START** (▶). L'afficheur indiquera le compte à rebours. (Plus d'une heure = H : MIN ; moins d'une heure = MIN : SEC.)

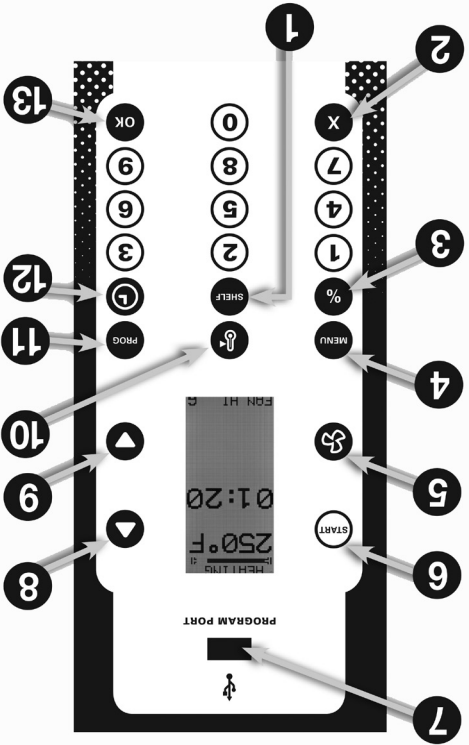
FONCTION AJOUT DE TEMPS :

1. Ajouter du temps au cycle de cuisson en cours en appuyant sur n'importe quelle touche du pavé numérique.

2. Vous pouvez ajouter de 1 à 10 minutes en appuyant sur une des touches du pavé numérique pendant tout cycle de cuisson minute. (À noter que la touche du « 0 » représente 10 minutes de temps ajoutée.)

REMARQUE : si la température en cours est de plus de 10°F (5°C) sous la température fixée, l'afficheur indiquera HEATING (Chauffage) [Fig. 4,2] en même temps qu'une barre de progression sous le mot HEATING (Chauffage). Lorsque la température sera moins de 10°F (5°C) sous le point de consigne, le mot HEATING (Chauffage) affichera à READY (Prêt).

GUIDE DE L'AFFICHEUR



- 1 **Touche SHELF** (Grille) : elle sert à affecter des articles de menu à 6 grilles différentes. L'ordinateur peut suivre jusqu'à 6 articles de menu sur 6 positions de grilles.
- 2 **Touche X** : sert à QUITTER ou annuler une programmation ou des fonctions opérationnelles.
- 3 **Touche %** : sert à fixer le niveau de puissance par incrément de 10%.
- 4 **Touche MENU** : utilisée pour sélectionner un article du menu.
- 5 **Touche FAN** (Ventilateur) : sert à fixer la vitesse du ventilateur.
- 6 **Touche START** (Démarrage) : sert à démarrer un cycle de cuisson minute.
- 7 **Touche PROG. PORT** : utilisée avec une clé USB standard pour importer des mises à jour logicielles et pour télécharger des menus de cuisson préparés à l'externe avec l'éditeur de menus C3700.
- 8 **Touche de déplacement vers le haut** : sert au déroulement vers le haut du menu et des fonctions de programmation.
- 9 **Touche de déplacement vers le bas** : sert au déroulement vers le bas du menu et des fonctions de programmation.
- 10 **Touche TEMP** (Température) : utilisée pour programmer la température de cuisson manuellement. Appuyez et maintenez la touche enfoncée pendant 3 secondes pour afficher la température interne réelle du four.
- 11 **Touche PROG** : donne accès à toutes les fonctions de programmation.
- 12 **Touche TIME** (Temps) : sert à programmer le temps de cuisson manuellement.
- 13 **Touche OK** : sert à l'acceptation des données programmées.

Cuisson

1. Ouvrir les portes et déposer le produit dans le four. Placer les bacs au centre des grilles. Fermer les portes.
2. Régler la minuterie. Lorsque le temps est écoulé, régler la minuterie à OFF (arrêt) pour éteindre l'avertisseur.
3. Lorsque le produit est cuit, ouvrir les portes et le sortir du four avec précaution. Essuyer tout débordement.

À la fin de la journée

1. Placez le cadran du thermostat à réglage le plus bas.
2. Mettre l'interrupteur principal à OVEN COOL (refroidissement du four). Laisser la porte entrouverte pendant que le ventilateur fonctionne pour accélérer le refroidissement.
3. Lorsque le four est suffisamment froid, mettre l'interrupteur principal à STOP (arrêt).
4. Mettre le robinet de gaz (situé derrière le panneau) à OFF (arrêt) et nettoyer le four.

Arrêt prolongé

Reprendre les étapes 1 à 3 de fin de journée. Débrancher le four et fermer le robinet de gaz manuel.

CONSERVATION DE L'ÉNERGIE - TOUS LES MODÈLES

- Éteindre l'appareil lorsqu'il ne sert pas.
- Adapter les menus et horaires de cuisson pour l'utilisation optimale de l'appareil.
- Réduire le réglage du thermostat pendant les périodes tranquilles puisque les appareils au gaz chauffent rapidement.
- Préchauffer l'appareil à la température de cuisson requise seulement et non à une température plus élevée.
- Ne pas ouvrir les portes du four sauf si cela s'avère absolument nécessaire.
- Garder les portes et les surfaces environnantes propres et exemptes de toute particule de nourriture.
- Tout corps qui empêche les portes de fermer complètement influencera inévitablement l'efficacité du four.

ALLUMAGE DES FOURS (à veilleuse permanente)

▲AVERTISSEMENT : Le ventilateur du four continue à fonctionner lorsque la porte du four est ouverte. Le four contient de l'air chaud et de la vapeur. Se tenir un peu éloigné de la porte lorsqu'on l'ouvre.

1. Ouvrir le robinet de gaz.

2. Mettre l'interrupteur principal à OFF (arrêt), soulever la porte d'accès dans la garniture inférieure, allumer la veilleuse tout en appuyant sur le bouton rouge du panneau de commande.

3. Maintenir le bouton enfoncé pendant 30 secondes après l'allumage de la veilleuse.

4. Lorsque la veilleuse est bien allumée, fermer la porte d'accès.

5. Régler le thermostat à la température désirée ainsi que la vitesse du ventilateur.

6. Mettre l'interrupteur principal à ON (marche) pour fonctionnement hebdomadaire ou à SHABBOS pour fonctionnement en mode Shabbat.

7. Si l'allumage ne réussit pas, mettre l'interrupteur principal en position d'ARRÊT (Off). Attendre 5 minutes et refaire les étapes de 1 à 6.

INSTRUCTIONS D'ARRÊT DU FOUR

1. Mettre l'interrupteur principal à OFF (arrêt).

ARRÊT PROLONGÉ

1. Mettre l'interrupteur principal à OFF (arrêt).

2. Mettre les alimentations du gaz et électrique à OFF (arrêt).

1. Choisir la bonne disposition des grilles pour le produit à cuire. Se référer à la section AGENCEMENT DES GRILLES en page 18.
2. S'assurer que les portes sont fermées.
3. Mettre l'interrupteur principal à ON (marche). Le voyant ambre ON (marche) s'allume, indiquant que le four est sous tension.
4. Régler l'interrupteur à deux vitesses FAN (ventilateur) de la façon désirée (modèles sans la fonction Roast & Hold) (rôtissage et garde-au-chaud).
5. Régler le thermostat à la température désirée. Le voyant HEAT (chauffage) s'allume et demeure allumé jusqu'à ce que le four atteigne la température réglée (de 10 à 15 minutes approximativement pour des réglages de 149 à 204 °C (300 à 400 °F). Se reporter au GUIDE DE CUISSON SUGGÈRE pour les temps et températures de cuisson de divers aliments ou plats.
6. Préparer les aliments et les déposer dans des bacs appropriés. Le voyant blanc HEAT (chauffage) s'éteint lorsque le four a atteint la température de préchauffage désirée.

UTILISATION DES FOURS MODÈLES VC4GD, VC5GD ET VC6GD Préchauffage

1. Mettre l'interrupteur principal à OFF (arrêt).
2. Mettre les alimentations du gaz et électrique à OFF (arrêt).

ARRÊT PROLONGÉ

1. Mettre l'interrupteur principal à OFF (arrêt).

INSTRUCTIONS D'ARRÊT DU FOUR

Si le four ne s'allume pas après trois tentatives, fermer le robinet de gaz principal et appeler un technicien qualifié.

1. Ouvrir le robinet de gaz.
2. Pousser l'interrupteur principal à ON (marche).
3. Si le brûleur refuse de s'allumer, mettre l'interrupteur principal à OFF (arrêt). Attendre 5 minutes et reprendre les étapes de 1 à 3.

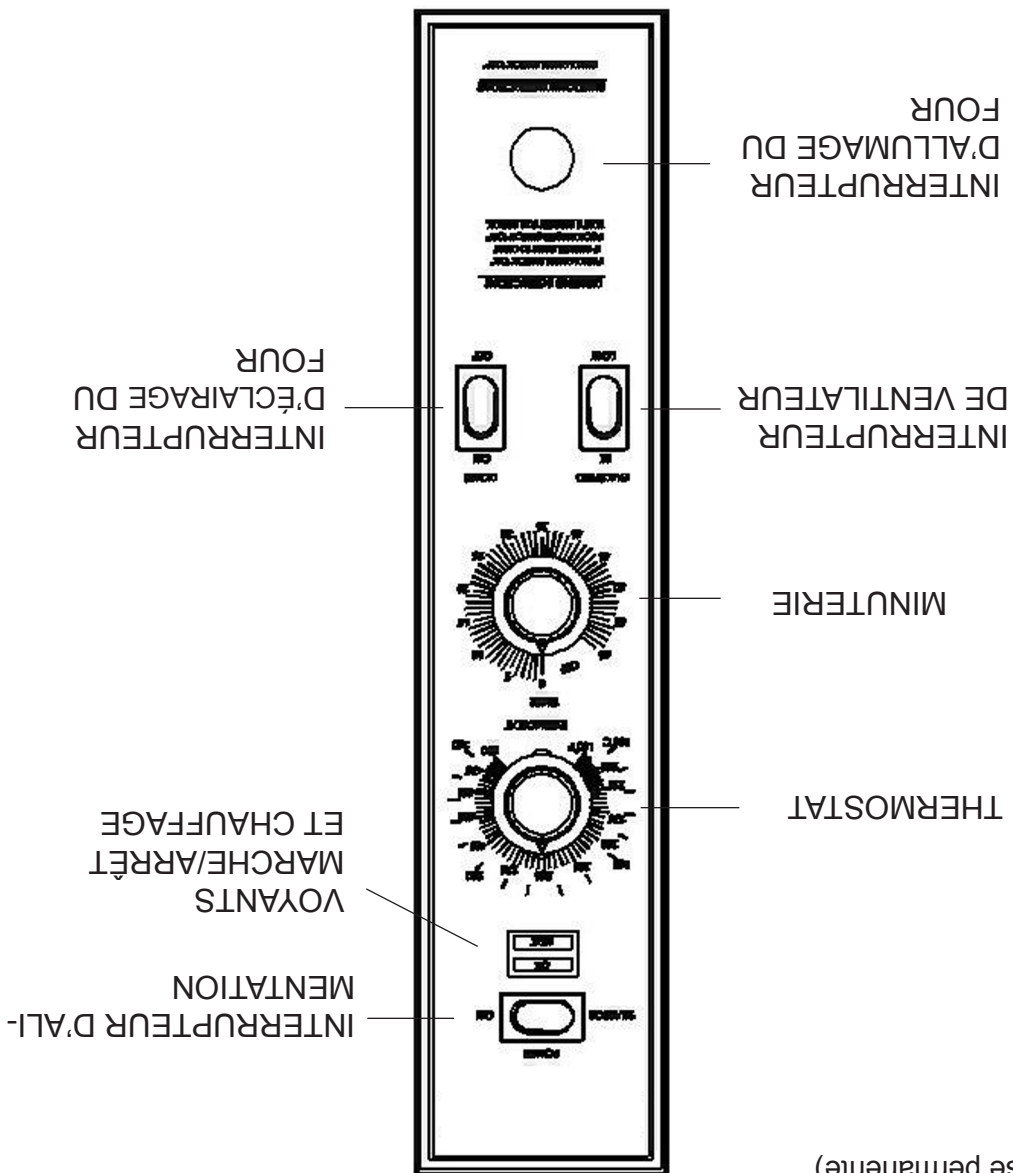
ALLUMAGE DES FOURS MODÈLES VC4GD, VC5GD ET VC6GD

Avant d'utiliser le four pour la première fois, le faire chauffer jusqu'à ce que toutes les odeurs de matériaux neufs se soient dissipées.

1. Au moyen d'un chiffon propre et humide, nettoyer les parois de l'enceinte de cuisson y compris les grilles.
2. Fermer les portes du four.
3. Mettre l'interrupteur principal à ON (marche).
4. Régler le thermostat à 149 °C (300 °F) et faire fonctionner le four pendant deux heures ou jusqu'à ce qu'il n'y ait plus d'odeur avant de mettre l'interrupteur principal à OFF (arrêt).

AVANT UNE PREMIÈRE UTILISATION

COMMANDES (Vieillesse permanente)



Interrupteur principal

- Met sous tension les circuits de commande du four.
- Met hors tension les circuits de commande du four.
- SHABBOS
- Met le four en mode Shabbat, ce qui permet au four de fonctionner lorsque les portes sont ouvertes.

Voyant Marche (ambre)

- S'allume lorsque l'interrupteur principal est à la position ON (marche) ou en mode Shabbat.

Voyant Chauffage (blanc)

- S'allume lorsque le thermostat requiert plus de chaleur.

Thermostat

- Permet le réglage du temps de cuisson. Un avertisseur sonore retentit continuellement lorsque le temps est écoulé, mais le four ne s'éteint pas. Régler la minuterie à OFF (arrêt) pour éteindre l'avertisseur et lorsque le four ne sert pas.

Minuterie (1 h)

Vitesse du ventilateur

- Permet de choisir la vitesse HI (élevée) et LO (basse).

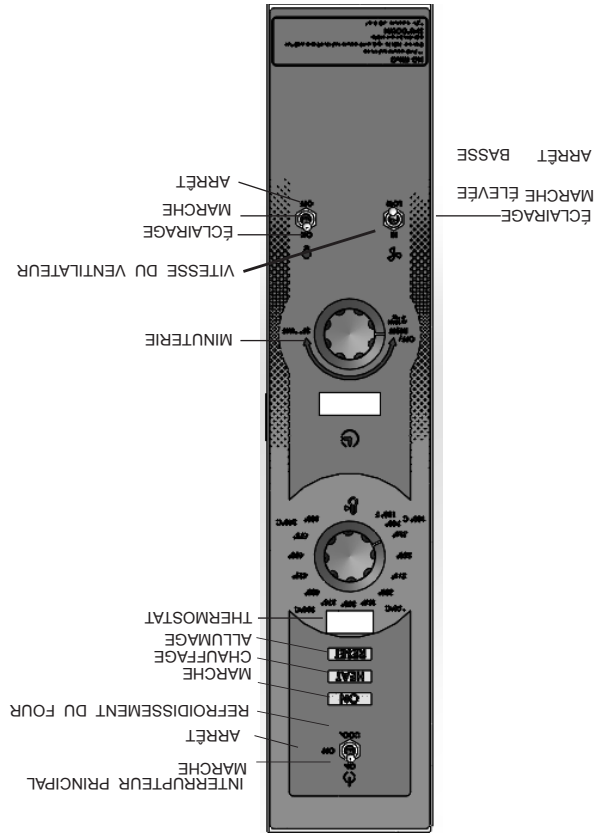
Interrupteur d'éclairage

- Éclairage du four à ON (marche) ou OFF (arrêt).

FONCTIONNEMENT

▲AVERTISSEMENT : Le four et ses composants sont chauds. Exercer une extrême prudence lors de son utilisation, nettoyage ou entretien.

COMMANDES : VC5GD



Interrupteur principal

ON (marche) – pour la mise sous tension des circuits de commande du four.
 OFF (arrêt) – pour la mise hors tension des circuits de commande de four.
 – Permet le fonctionnement du ventilateur lors que les portes sont entrouvertes en vue d'accélérer le refroidissement du four.

Voyant Marche (ambre)

S'allume lorsque l'interrupteur principal est à la position ON (marche).
 S'allume et s'éteint selon que le brûleur s'allume ou s'éteint.

Voyant Chauffage (blanc)

S'allume si le brûleur refuse de s'allumer. À l'allumage du four, le témoin ALLUMAGE clignote.

Thermostat

Minuterie (5 h)
 Contrôles de température du four. Affiche les codes d'erreur.
 Utiliser pour régler le temps de cuisson. Une alarme sonne continuellement quand le temps dévolu est rendu à 0. Pour arrêter l'alarme, faites faire un demi-tour à la minuterie dans le sens antihoraire.

Vitesse du ventilateur

Permet de choisir la vitesse HI (élevée) et LO (basse).

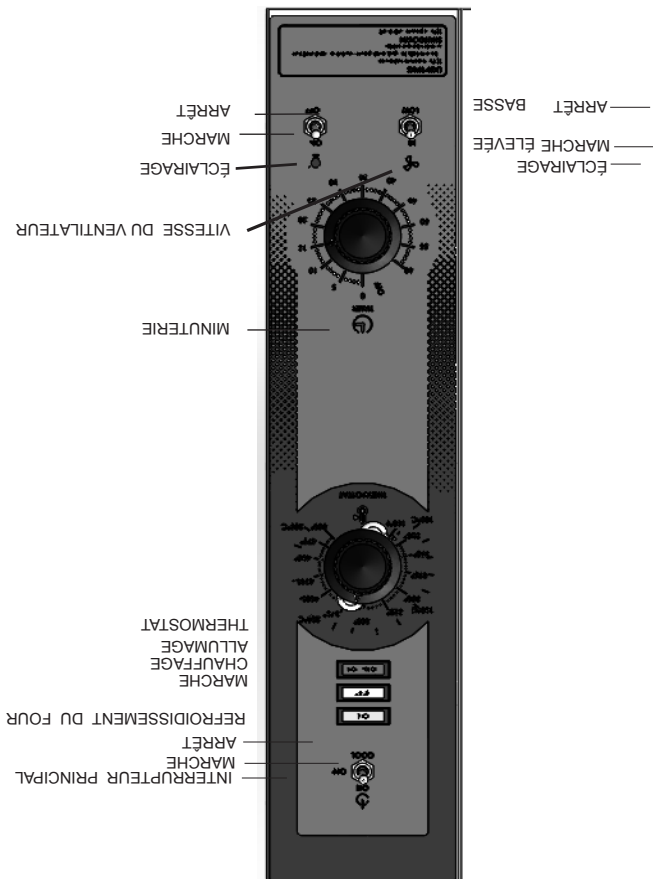
Interrupteur de Vitesse du ventilateur

Commande l'éclairage du four à ON (marche) ou OFF (arrêt).

FONCTIONNEMENT

▲AVERTISSEMENT : Le four et ses composants sont chauds. Exercer une extrême prudence lors de son utilisation, nettoyage ou entretien.

COMMANDES: VC4GD, VC6GD, HGC5, HGC5D, WKGD



Interrupteur principal ON (marche) – pour la mise sous tension des circuits de commande du four. OFF (arrêt) – pour la mise hors tension des circuits de commande de four. OVEN COOL (refroidissement du four) – Permet le fonctionnement du ventilateur lorsque les portes sont entrouvertes en vue d'accélérer le refroidissement du four.

Voyant Marche (ambre) S'allume lorsque l'interrupteur principal est à la position ON (marche).

Voyant Chauffage (blanc) S'allume et s'éteint selon que le brûleur s'allume ou s'éteint.

Voyant Allumage (rouge) S'allume si le brûleur refuse de s'allumer. À l'allumage du four, le témoin ALLUMAGE clignote.

Thermostat Commande la température du four pendant la cuisson.

Minuterie (1 h)

Permet le réglage du temps de cuisson. Un avertisseur sonore retentit lorsque le temps est écoulé, mais le four ne s'éteint pas. Régler la minuterie à OFF (arrêt) pour éteindre l'avertisseur et lorsque le four ne sert pas.

Interrupteur de Vitesse du ventilateur

Permet de choisir la vitesse HI (élevée) et LO (basse).

Interrupteur d'éclairage

Commande l'éclairage du four à ON (marche) ou OFF (arrêt).

Si le débit d'air est insuffisant, les flammes brûlent avec une pointe jaune, ce qui résulte en une accumulation de carbone dans la chambre de la flamme et dans les tubes des échangeurs de chaleur. Communiquer avec le service de l'entretien de Vulcan-Hart si nécessaire.

CONDUIT D'ÉVACUATION

NE PAS obstruer le débit des gaz brûlés dans le conduit d'évacuation à l'arrière de l'appareil. Il est recommandé de faire l'évacuation des gaz brûlés à l'extérieur de l'immeuble à l'aide d'un système de ventilation installé par un personnel qualifié.

Un déviateur de courant d'air descendant offert en option est une méthode de ventilation alternative d'un tel dispositif annulera la conformité aux normes de l'appareil et sa garantie. Ce four convient à un raccordement de ventilation des gaz de type "B" lorsqu'il est utilisé avec le déviateur approprié. Maintenir un dégagement minimal de 457 mm (18 po) entre le conduit d'évacuation de l'appareil et les filtres de la hotte.

Pour toute information sur la construction et l'installation des hottes de ventilation selon la norme NFPA n° 96 (dernière édition), se procurer un exemplaire intitulé *Extraction des vapeurs provenant des appareils de cuisson commerciaux* en communiquant avec la National Fire Protection Association, Batterymarch Park, Quincy, MA 02269.

RACCORDEMENT ÉLECTRIQUE

▲AVERTISSEMENT : Le raccordement électrique et la mise à la terre doivent être conformes aux normes conçues du code canadien de l'électricité ou de tout autre code d'électricité en vigueur.

▲AVERTISSEMENT : Les appareils munis d'un cordon d'alimentation flexible sont pourvus d'une fiche de mise à la terre à trois broches. Il est indispensable que la prise dans laquelle elle est branchée soit correctement mise à la terre. Si elle ne l'est pas, prière de communiquer avec un électricien. Ne pas enlever la broche de mise à la terre de la fiche. Les fours à convection de la série VC sont livrés de série avec un cordon d'alimentation et une fiche de 120/60/1.

Le schéma de câblage est apposé à l'intérieur du logement du système de commande.

CARACTÉRISTIQUES ÉLECTRIQUES

Modèles	V/Hz/ph	Intensité minimale du circuit de sûreté (A)
Tous les modèles*	120/60/1 208/60/1 240/60/1 240/50/1	15 15 15 15
	220/380 (3 fils)/50/3 220/380 (4 fils)/50/3 240/415 (4 fils)/50/3	15 15 15

Données conformes au Code national électrique (norme NFPA-70), dernière édition
*Le four VC5 n'est livrable qu'en tension de 120/60/1

BRANCHEMENT DU GAZ

DONNÉES DE GAZ

MODELES	DÉBIT (BTU/h)		PRESSION D'ALIMENTATION	
	Naturel	Propane	Naturel	Propane
Tous les modèles	50 000	50 000	1,245 kPa 5 po de colonne d'eau	2,5 kPa 10 po de colonne d'eau
Avec veilleuse permanente	50 000	50 000	0,93 kPa 3,7 po de colonne d'eau	2,5 kPa 10 po de colonne d'eau

Les raccords d'alimentation de la conduite de gaz et la pâte à joints de tuyaux doivent résister à l'action des gaz propane et naturel.

L'alimentation en gaz se trouve à l'arrière du four. Conformément aux exigences des codes, installer un robinet d'arrêt dans la conduite de gaz en amont du four.

Raccorder la conduite de gaz à l'appareil après son nivelage. La canalisation de gaz doit être composée d'un tuyau de fer d'au moins 19 mm (3/4 po). S'assurer que les tuyaux sont propres et qu'ils ne comportent aucun corps étranger ni trace de saleté ou de pâte à joints.

Les fours sont pourvus de brûleurs à orifices fixes prévus pour l'élévation topographique des lieux.

Les fours à allumage électronique de série sont pourvus d'un régulateur intégré à la vanne électromagnétique de gaz et ne requièrent l'ajout d'aucun régulateur externe.

Les fours pourvus d'une veilleuse permanente requièrent l'ajout d'un régulateur externe livré avec l'appareil et qui est réglé selon les pressions de gaz indiquées sur le tableau de données ci-dessus.

AVIS : Le régulateur de pression du gaz équipé d'une veilleuse permanente doit être utilisé. Ce régulateur est réglé pour une pression de sortie de 0,93 kPa (3,7 po de colonne d'eau) pour le gaz naturel et de 2,5 kPa (10 po de colonne d'eau) pour le gaz propane.

▲AVERTISSEMENT : Avant de procéder à l'allumage, vérifier tous les joints pour s'assurer qu'ils ne coulent pas. Se servir d'une solution d'eau chaude et de savon. Ne pas se servir d'une flamme nue.

A. Vérifier tous les joints conduisant à la soupape à gaz (vanne électromagnétique) avant de procéder à l'allumage de l'appareil.

B. Vérifier tous les joints à partir de la soupape à gaz après l'allumage.

Après avoir enrayé toute possibilité de fuite, purger la conduite de gaz pour évacuer tout l'air qu'elle contient.

ESSAIS DE LA CANALISATION DE GAZ

Si la pression de la canalisation de gaz est supérieure à 3,45 kPa (1/2 psig) lors d'essais de pression, débrancher le four et son robinet d'arrêt de la conduite de gaz.

Lorsque la pression d'essai est égale ou inférieure à 3,45 kPa (1/2 psig), isoler l'appareil de la canalisation de gaz en fermant son robinet manuel individuel.

RÉGLAGE DE L'AIR DES BRÛLEURS

Même si le brûleur principal a été réglé avant d'expédier l'appareil, il doit être vérifié au moment de l'installation. Un trop grand approvisionnement d'air fera détacher la flamme du brûleur s'il est froid ou risque de provoquer un retour de flamme pendant l'utilisation normale du four, particulièrement s'il s'agit de gaz propane.

S'assurer que les grilles sont de niveau une fois l'appareil installé. Dans le cas d'un four sur pattes, régler les pieds pour niveler l'appareil d'avant vers l'arrière et latéralement. Pour les fours sur roues non superposés, dévissez légèrement les vis de réglage et faites tourner les roues vers l'intérieur ou l'extérieur pour ajuster le niveau du four de l'avant vers l'arrière et d'un côté à l'autre. Une fois le niveau ajusté, resserrez les vis de réglage.

NIVELAGE

Raccorder la tuyauterie entre le four du dessus et celui du bas. Les raccords d'alimentation de la conduite de gaz et la pâte à joints doivent résister à l'action des gaz naturel ou propane.

(Fig. 3) au moyen des quatre vis fournies.

Installer le conduit d'évacuation de superposition

dans les trous défonçables.

Placer le four sur pattes à l'emplacement prévu et y déposer le four en insérant les goujons de localisation

Retirez le garde de l'évent du four supérieur.

deux goujons de localisation au fond du four supérieur. suivant les indications du kit de superposition, fixez les

(7/16 po) de chaque côté du dessus extérieur. En

placer le four inférieur (sur pieds ou sur roues) sur le plancher et enlever les deux débouchures de 11 mm

jeu de roues avec les 24 boulons et rondelles frein. endommager le raccord. Fixez les quatre pieds ou le

(51 x 102 mm [2 x 4 po] par exemple) pour ne pas appuyer celui-ci sur des entretoises appropriées

d'alimentation en gaz fait saillie au dos du four,

ou l'endommager. Puisque le raccord de la conduite fond du four en prenant soin de ne pas l'égratigner

Incliner un des fours vers l'arrière pour accéder au Déballez les fours et le nécessaire de superposition.

SUPERPOSITION DE FOURS

chaque extrémité du support de grilles (Fig. 2).

pattes en enlevant un boulon central et le repasser par les trous à supérieure des guides de grille. Fixer les supports de grille aux

(pour bacs ou grilles), puis installer les supports de grille à l'extrémité Insérer les guides de grille dans la tablette aux positions désirées

rondelles-freins (2 par patte).

Installer la tablette inférieure aux pattes au moyen des 8 boulons et rondelles-freins (6 par patte). Relever le four avec soin.

Fixer les quatre pattes en dessous du four au moyen des 24 boulons

ASSEMBLAGE DU FOUR SUR UN SUPPORT

et rondelles-freins (6 par patte). Relever le four avec soin.

Fixer les quatre pattes en dessous du four au moyen des 24 boulons

le côté en prenant soin de ne pas l'égratigner ou l'endommager. Fixer les pattes en dessous du four. Incliner le four doucement sur

Assemblage des pattes

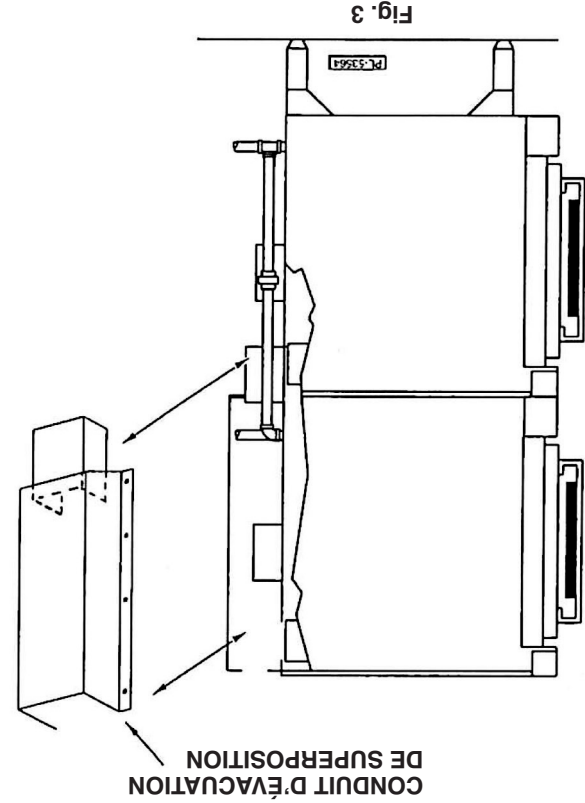


Fig. 3

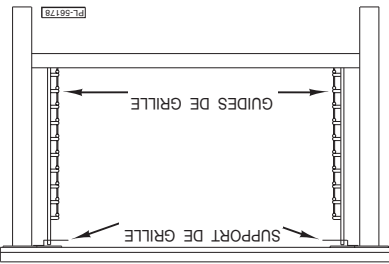
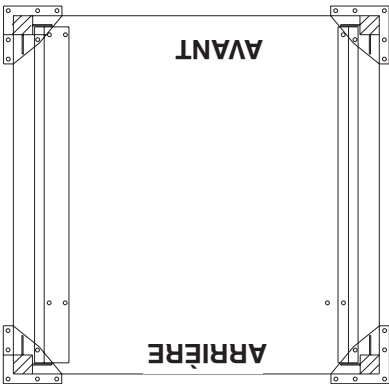


Fig. 2



3. Norme NFPA-96 (dernière édition) *sur l'extraction des vapeurs provenant des appareils de cuisson* dont on peut se procurer un exemplaire auprès de la National Fire Protection Association, Batterymarch Park, Quincy, MA 02169-7471.
4. Norme ANSI/NFPA-70 (dernière édition) du National Electrical Code dont on peut se procurer un exemplaire auprès de la National Fire Protection Association, Batterymarch Park, Quincy, MA 02169-7471.

Au Canada :

1. Codes locaux.
2. Norme CSA B149.1 du Code de l'installation des appareils fonctionnant au gaz naturel et propane.
3. Norme C22.1 du Code canadien de l'électricité (dernière édition).

On peut se procurer un exemplaire des normes ci-dessus auprès de l'Association canadienne de normalisation, 5060 Spectrum Way, Bureau 100, Mississauga, Ontario, Canada L4W 5N6.

INSTALLATION DU FOUR DE BASE

Installer le four de base sur des pattes ou un support modulaire. Il n'est pas recommandé de l'installer sur une base en béton ou un support qui restreint la circulation de l'air en dessous du four, faute de quoi la garantie sera annulée.

Installation du four sur roulettes

Les fours montés sur des roulettes doivent être installés avec un connecteur flexible (non fourni par Vulcan) conforme aux normes ANSI-Z21.69 • CSA 6.16 sur les connecteurs des appareils au gaz mobiles, et avec un raccord à désaccouplement rapide conforme aux normes ANSI-Z21.41 • CSA 6.9 sur les dispositifs à désaccouplement rapide des appareils au gaz. En plus, prendre les moyens nécessaires pour limiter le mouvement de l'appareil sans devoir compter sur le connecteur ou le raccord à désaccouplement rapide, ni même sur la tuyauterie pour le garder immobile. Fixer le dispositif de retenue à l'arrière du four (Fig. 1).

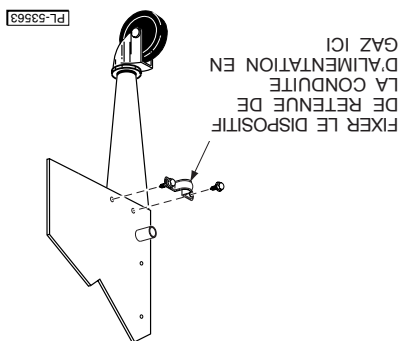
Enlever les deux vis à l'arrière du four et installer la sangle d'arrimage expédiée avec les roulettes en utilisant ces vis (Fig. 1). Fixer le dispositif de retenue de la conduite d'alimentation en gaz à cette sangle d'arrimage à l'arrière du four (Fig. 1).

Si le débranchement du dispositif de retenue est nécessaire, éteindre l'alimentation en gaz avant le débranchement. Rebrancher le dispositif de retenue avant d'ouvrir l'alimentation en gaz et de remettre le four à la position d'installation.

Des instructions pour l'installation des roulettes sont incluses séparément avec les roulettes.

Nota : Si le four est installé sur des roulettes et doit être déplacé pour une raison ou une autre, il est conseillé de le niveler à nouveau d'avant en arrière et d'un côté à l'autre.

Fig. 1



INSTALLATION

Avant de procéder à l'installation, s'assurer que l'alimentation électrique de l'immeuble et le type de gaz (naturel ou propane) correspondent aux spécifications de la plaque signalétique de l'appareil située derrière le panneau de garnissage supérieur en avant de l'appareil. Si elles ne correspondent pas, ne pas installer l'appareil. Communiquer avec votre représentant ou la compagnie Vulcan-Hart immédiatement.

DÉBALLAGE

Avant de quitter l'usine, cet appareil a été inspecté soigneusement. Le transporteur est entièrement responsable de la livraison de l'appareil. Immédiatement après l'avoir déballé, vérifier s'il n'a pas été endommagé lors du transport. En cas de dommages, conserver le matériel d'emballage et aviser le transporteur dans les 15 jours suivant la date de réception.

Déballer l'appareil avec soin et l'installer dans un endroit suffisamment dégagé pour assurer un bon fonctionnement.

Ne pas soulever le four par les portes ou les poignées.

EMPLACEMENT

Aucune substance combustible ne doit se trouver à proximité de l'appareil.

Laisser un dégagement d'au moins 25 mm (1 po) du côté gauche de l'appareil, de 51 mm (2 po) du côté droit et de 0 mm (0 po) à l'arrière. Laisser un dégagement minimal de toute construction non combustible de 0 mm du côté gauche, de 0 mm (0 po) du côté droit et de 0 mm (0 po) à l'arrière. Le four peut être installé sur un plancher combustible.

Installer le four dans un endroit suffisamment dégagé pour en faciliter l'utilisation et l'entretien. Le côté droit des fours à commande à semi-conducteurs et numérique doit être éloigné d'une flamme nue à une distance de 457 mm (18 po).

Installer le four de manière à ne pas obstruer l'air nécessaire à la combustion et à la ventilation. Observer un dégagement suffisant autour des ouvertures d'alimentation de la chambre de combustion. S'assurer d'une ventilation suffisante dans la pièce pour permettre la combustion des gaz dans les brûleurs du four.

Ne pas laisser des ventilateurs souffler directement dans le four. Si possible, éviter d'ouvrir les fenêtres près du four. Éviter tout type de ventilateur mural pouvant créer des courants d'air contraires dans la pièce.

CODES D'INSTALLATION ET NORMES

Aux États-Unis :

1. Codes locaux
2. Norme ANSI/Z223.1/NFPA N° 54 (dernière édition) du National Fuel Gas Code dont on peut se procurer un exemplaire auprès de l'American Gas Association Inc., Accredited Standards Committee Z223, 400 N. Capital St. NW., Washington, DC 20001 ou au Secretary Standards Council, NFPA, 1 Batterymarch Park, Quincy, MA 02169-7471.

NOTA : Dans l'État du Massachusetts

Tous les appareils au gaz ventilés par une hotte de ventilation ou un système d'évacuation muni d'un registre ou motorisé doivent être conformes à la réglementation 248 CMR.

INSTALLATION, FONCTIONNEMENT ET ENTRETIEN FOURS À CONVECTION AU GAZ

DOCUMENT À CONSERVER EN CAS DE BESOIN.

GÉNÉRALITÉS

Tous les modèles sont équipés d'un contrôle de température à semi-conducteurs. Une commande de four programmable est offerte en option sur la plupart des modèles. Une minuterie à cadran d'une heure est livrée de série; une minuterie de cinq heures est offerte en option. (Sauf pour le modèle VC5, une minuterie de 5 heures est livrée de série). Le moteur électrique standard est d'une puissance de 0,37 kW (1/2 CV) à deux vitesses. Chaque four est muni de cinq grilles; des grilles additionnelles sont offertes en option. Chaque four est équipé d'un brûleur de 50 000 BTU/h.

L'enceinte en porcelaine est standard pour tous les modèles.

La profondeur des enceintes de cuisson des modèles VC6GD, VC6GC, HGC5X, and HGC5DX est de 4 po (102 mm) plus grande que celle des modèles de série.

L'alimentation électrique des fours standards est de 120 V, 60 Hz, 1 Ph et comprend un cordon d'alimentation avec fiche. Des tensions électriques de 208/240 V sont offertes en option mais doivent être à raccordement fixe.

Les portes de série sont à ouverture indépendante; des portes ouvrant simultanément sont offertes en option (sauf sur le modèle VC5). Les appareils Hobart sont livrés de série avec des portes à ouverture simultanée.

Le four offre aussi les options suivantes : un support pourvu d'une tablette de rangement inférieure, la fonction Rôtissage et Garde-au-chaud et un nécessaire de superposition permettant d'installer un four sur l'autre.

Les fours à convection au gaz sont fabriqués avec le plus grand soin et à partir des meilleurs matériaux. Leur installation, utilisation et entretien appropriés permettent d'en obtenir un rendement optimal pendant de nombreuses années.

Il est recommandé de lire ce manuel au complet et d'en suivre attentivement toutes les instructions.

CARACTÉRISTIQUES

Modèles	Thermostat	Minuterie	Lampes du four	Programmable	Pattes	Support avec grille	Alimentation électrique*
Grandeur standard	À semi-conducteurs	1 heure de série (Minuterie de 5 h sur VC5)	Standard	En option (Sauf VC5)	603 mm (23 3/4 po)	En option	120/60/1 Std. 120/60/1 Std. 240/60/1 En option 240/50/1 En option 220/380 (3F)/50/3 En opt.
Profonds	À semi-conducteurs	1 heure de série	Standard	En option	603 mm (23 3/4 po)	En option	220/380 (4F)/50/3 En opt. 240/415 (4F)/50/3 En opt.
Fours superposés					203 mm (8 po)		

*Le four VC5 n'est livrable qu'en tension de 120/60/1

EN CAS DE PANNE DE COURANT, NE PAS FAIRE
FONCTIONNER CET APPAREIL.

AVERTISSEMENT

L'INSTALLATION, LE RÉGLAGE, LA MODIFICATION
ET L'ENTRETIEN INCORRECTS DE CET APPAREIL
PEUVENT CAUSER DES DOMMAGES MATÉRIELS, DES
BLESSURES ET MÊME LA MORT. LIRE LES INSTRUCTIONS
D'INSTALLATION, DE FONCTIONNEMENT ET D'ENTRETIEN
AVANT DE PROCÉDER À TOUTE INSTALLATION OU TOUT
ENTRETIEN.

MESURE DE SÉCURITÉ

NE PAS RANGER NI UTILISER DE L'ESSENCE NI TOUT
AUTRE LIQUIDE OU VAPEUR INFLAMMABLE À
PROXIMITÉ DE CET APPAREIL OU DE TOUT AUTRE
APPAREIL.

IMPORTANT

EN CAS D'ODEURS DE GAZ, ÉTEINDRE L'APPAREIL PAR LE
ROBINET D'ARRÊT PRINCIPAL ET COMMUNIQUER AVEC
LA COMPAGNIE DE GAZ LA PLUS PRÈS OU AVEC LE
FOURNISSEUR DE GAZ ATTIRÉ POUR L'ENTRETIEN.

CE MANUEL A ÉTÉ PRÉPARÉ À L'INTENTION D'UN PERSONNEL QUALIFIÉ ET AUTORISÉ
À INSTALLER DES APPAREILS FONCTIONNANT AU GAZ ET À EFFECTUER LE
DÉMARRAGE INITIAL CHEZ LE CLIENT DE MÊME QUE LE RÉGLAGE DES APPAREILS
CONCERNÉS DANS CE MANUEL.
AFFICHER À UN ENDROIT VISIBLE LES PREMIERS SOINS À ADMINISTRER À TOUTE
PERSONNE AYANT RESPIRÉ LES GAZ QUE CET APPAREIL DÉGAGE. ON PEUT SE
PROCURER CES INFORMATIONS CHEZ LE FOURNISSEUR DE GAZ LE PLUS PRÈS.

MESURES DE SÉCURITÉ IMPORTANTES

MODE D'INSTALLATION ET MODE D'EMPLOI

Groupe *7W* Équipement alimentaire

VULCAN

HOBART



FOURS À CONVECTION AU GAZ

MODÈLES

VC4GD

VC4GC

VC5GD

VC6GD

VC6GC

HGC5

HGC5X

HGC5D

HGC5DX

WKGD



Pour de plus amples détails concernant Vulcan-Hart ou pour repérer le détaillant de pièces et de service autorisé le plus près de chez-vous visiter notre site Web à : www.vulcanhart.com