



INSTALLATION & OPERATION MANUAL



QUICKFRY™ | VHG-A SERIES GAS FRYERS WITH KLEENSCREEN PLUS® FILTRATION SYSTEMS

MODELS:

- 1VHG50A
- 1VHG75A
- 2VHG50A
- 2VHG75A
- 3VHG50A
- 3VHG75A
- 4VHG50A
- 4VHG75A



Model 1VHG75AF

TECHNICAL SERVICE AND PARTS ASSISTANCE: 1-800-814-2028

For additional information on Vulcan or to locate an authorized parts and service provider in your area, visit vulcanequipment.com.

Vulcan is a division of ITW Food Equipment Group | 3600 North Point Blvd., Baltimore, MD 21222

F-47679 REV. A (3-20)

IMPORTANT FOR YOUR SAFETY

THIS MANUAL HAS BEEN PREPARED FOR PERSONNEL QUALIFIED TO INSTALL GAS EQUIPMENT, WHO SHOULD PERFORM THE INITIAL FIELD START-UP AND ADJUSTMENTS OF THE EQUIPMENT COVERED BY THIS MANUAL.

POST IN A PROMINENT LOCATION THE INSTRUCTIONS TO BE FOLLOWED IN THE EVENT THE SMELL OF GAS IS DETECTED. THIS INFORMATION CAN BE OBTAINED FROM THE LOCAL GAS SUPPLIER.

IMPORTANT

IN THE EVENT A GAS ODOR IS DETECTED, SHUT DOWN UNITS AT THE MAIN SHUTOFF VALVE AND CONTACT THE LOCAL GAS COMPANY OR GAS SUPPLIER FOR SERVICE.

FOR YOUR SAFETY

DO NOT STORE OR USE GASOLINE OR OTHER FLAMMABLE VAPORS AND LIQUIDS IN THE VICINITY OF THIS OR ANY OTHER APPLIANCE.

WARNING

Improper installation, adjustment, alteration, service or maintenance can cause property damage, injury or death. Read the installation, operating and maintenance instructions thoroughly before installing or servicing this equipment.

IMPORTANT

IN THE EVENT OF A POWER FAILURE, DO NOT ATTEMPT TO OPERATE THIS DEVICE

TABLE OF CONTENTS

IMPORTANT FOR YOUR SAFETY.....	2
INTRODUCTION.....	4
GENERAL.....	4
ORDERING PARTS.....	4
UNPACKING.....	4
INSTALLATION.....	5
Clearances.....	5
Location.....	5
CODES AND STANDARDS.....	6
ASSEMBLY.....	7
FLUE CONNECTION.....	7
ELECTRICAL CONNECTION.....	7
GAS CONNECTION.....	8
Quick-Disconnect for Units on Casters.....	9
GAS PRESSURE.....	8
TEST GAS SUPPLY.....	8
FRYERS WITH CASTERS.....	8
LEVELING THE FRYER.....	9
OPERATION.....	10
FRYER CAPACITIES.....	10
OVER-TEMPERATURE SHUTDOWN.....	10
BEFORE FIRST USE.....	10
Cleaning.....	10
FILLING TANK WITH SHORTENING.....	11
BASIC FRYING INSTRUCTIONS.....	11
Fry Basket Guidelines.....	12
Fry Basket Capacity.....	12
EXTENDING SHORTENING LIFE.....	12
TURNING ON THE FRYER.....	12
TURNING OFF THE FRYER.....	14
DRAINING THE TANK – FREE STANDING FRYERS.....	14
BOIL OUT PROCEDURE – FREE STANDING FRYERS.....	14
CLEANING.....	15
Daily.....	15
EXTENDED SHUTDOWN.....	16
KLEENSCREEN PLUS® INSTALLATION & OPERATION.....	16
General.....	16
Assembly.....	16
Fine Mesh Steel Filter Screen Assembly.....	17
Micro-Filtration Fabric Envelope Assembly.....	19
REMOVE & REPLACE KLEENSCREEN PLUS® FILTER ENVELOPE.....	20
FILTERING PROCEDURE.....	21
FILTERING SOLID STATE KNOB (A) CONTROLS.....	21
Flush/Rinse And Discard Oil.....	22
REMOVING EXCESS DEBRIS FROM THE FILTER.....	23
Filtering Tip.....	23
BOIL OUT PROCEDURE.....	23
THERMAL OVERLOAD PROTECTION RESET BUTTON.....	24
MAINTENANCE.....	25
FLUE VENT INSPECTION.....	25
Service in the US and Canada.....	25
ERROR MESSAGES.....	25
TROUBLESHOOTING.....	26
Troubleshooting Chart.....	26

INTRODUCTION

GENERAL

Vulcan Fryers are produced with quality workmanship and material. Proper installation, usage and maintenance will result in years of satisfactory performance.

Before installing the fryer, thoroughly read this manual and carefully follow all instruction.

This manual is applicable to models listed on the cover page. Procedures in this manual will apply to all models unless specified. Pictures and illustrations can be of any model unless the picture or illustration needs to be model specific.

ORDERING PARTS

Customers may order parts directly from their local authorized service center. If not known, call Vulcan Technical Support at 800-814-2028.

To speed up your order, provide the model number, serial number, gas type, part needed, item part number (if known) and quantity needed.

UNPACKING

This fryer was carefully inspected before leaving the factory. The carrier assumes full responsibility for the safe delivery upon acceptance of the shipment. Check for possible shipping damage immediately after receipt.

If the fryer is found to be damaged, complete the following steps:

1. Carrier must be notified within 5 business days of receipt.
2. Carrier's local terminal must be notified immediately upon discovery (note time, date, and who was spoken to), and follow up and confirm with written or electronic communication.
3. All original packing materials must be kept for inspection purposes.
4. The fryer cannot have been moved, installed, or modified.
5. Notify Vulcan Customer Service immediately at 800-814-2028.

Check that the following have been included:

- ◆ Crumb Rack(s)
- ◆ Basket Hanger(s)
- ◆ Tank Brush for Boil Out Procedure Only
- ◆ Adjustable Casters (4) two locking, two non-locking for freestanding fryers. Fryer Batteries with the KleenScreen *PLUS*® Filtration System have casters installed from the factory.
- ◆ Drain Pipe Extension for freestanding fryers only.
- ◆ Twin Fry Baskets (2) per fry tank
- ◆ Cleanout Rod
- ◆ Fryer Batteries with the KleenScreen *PLUS*® Filtration System
 - Filter Pan

VHG SERIES GAS FRYERS

- Suction Tube
- Screen Assembly
- High temperature discard hose
- Crumb Basket
- Manual, Quick Start Guide(s), and Warranty-Keep in safe place for reference

INSTALLATION

Do not use the door or its handle to lift the fryer.

Before installing the fryer, verify that the type of gas (natural or propane) agrees with the specifications on the fryer data plate, which is located on the inside of the door panel. Make sure the fryer is configured for the proper elevation.

Record your fryer model, device, and serial numbers for future reference in the space provided below. This information can be found on the fryer data plate.

Fryer Model No: _____

Device: _____

Serial No: _____

Clearances

- ♦ Minimum clearance from combustible construction:
 - 6" (15 cm) from the sides of the fryer
 - 6" (15 cm) from the back of the fryer
 - The fryer may be installed on combustible floors
- ♦ Minimum clearance from noncombustible construction:
 - 0" from the sides of the fryer
 - 0" from the back of the fryer
- ♦ Between the fryer and any open-top flame units:
 - 16" (41 cm)
- ♦ Allow space for servicing and operation.
 - Some service procedures will require removal of side panels or access to rear of the unit.

Location

- ♦ Install fryer in an area with sufficient air supply for gas combustion.
- ♦ Do not obstruct the flow of combustion and ventilation air.
- ♦ Provide adequate clearance for air openings into the combustion chamber.

VHG SERIES GAS FRYERS

- ◆ Do not permit fans to blow directly onto fryer.
- ◆ Keep the fryer area free and clear from combustibles.
- ◆ Avoid wall-type fans, which create cross-currents within a room. Avoid open windows next to sides or back.

CODES AND STANDARDS

The fryer must be installed in accordance with:

In the United States:

- ◆ State and local codes, or in the absence of local codes, with:
- ◆ National Fuel Gas Code, ANSI-Z223.1/NFPA #54 (latest edition). Copies may be obtained from The American Gas Association Accredited Standards Committee Z223, @ 400 N. Capital St. NW, Washington, DC 20001 or the Secretary Standards Council, NFPA, 1 Batterymarch Park Quincy, MA 02169-7471.
- ◆ NFPA Standard #96 Vapor Removal from Cooking Equipment, latest edition, available from the National Fire Protection Association, Batterymarch Park, Quincy, MA. 02169-7471.
- ◆ National Electrical Code, ANSI/NFPA-70 (latest edition). Copies may be obtained from The National Fire Protection Association, Batterymarch Park, Quincy, MA. 02169-7471.
- ◆ In the commonwealth of Massachusetts all gas appliances vented through a ventilation hood or exhaust system with a damper or with a power means of exhaust shall comply with 248 CMR.

In Canada:

- ◆ Local codes
- ◆ CAN/CSA-B149.1 Natural Gas and Propane Installation Code (latest edition), available from the Canadian Standards Association, 155 Queen Street, Suite 1300, Ottawa, Ontario Canada K1P 6L1.
- ◆ CSA C22.1 Canadian Electric Code (latest edition), available from the Canadian Standards Association, 155 Queen Street, Suite 1300, Ottawa, Ontario Canada K1P 6L1.

ASSEMBLY

The fryer must be restrained to prevent tipping and the splashing of hot liquid. The means of restraint may be the manner of installation, such as connection to a battery of appliances, installing the fryer in an alcove, or by separate means such as adequate ties.

FLUE CONNECTION

Make the flue connection as follows:

- ◆ Comply with *Vapor Removal from Cooking Equipment*, ANSI-NFPA Standard #96 (latest edition), available from the National Fire Protection Association, Batterymarch Park, Quincy, MA 02269.
- ◆ Locate the fryer under a hood with adequate connection to an exhaust duct. The hood must extend 6" (15 cm) beyond fryer on both sides.
- ◆ Clearance above the fryer should be adequate for combustion byproducts to be removed efficiently.
- ◆ An 18" (46 cm) minimum clearance should be maintained between the flue vent and the filters of the hood venting system.
- ◆ Never make flue connections directly to the fryer.
- ◆ Do not obstruct the flow of the gases from the appliance. Proper air balance should be maintained in the room.
- ◆ Ensure that your ventilation system does not cause a down draft at the fryer's flue opening. Down drafts will not allow the fryer to exhaust properly and will cause overheating which may cause permanent damage. Damage caused by down drafts will not be covered under equipment warranty. NEVER allow anything to obstruct the flue of combustibles or ventilation exiting from the fryer flue. DO NOT put anything on top of flue area.

ELECTRICAL CONNECTION

▲ WARNING Electrical Grounding Instructions:

This appliance is equipped with a three prong (grounding) plug for your protection against shock hazard and should be plugged directly into a properly grounded three-prong receptacle. Do not cut or remove the grounding prong from this plug. Fryer must be electrically grounded in accordance with local codes, or in the absence of local codes, with the National Electrical Code, ANSI/NFPA 70, or the Canadian Electrical Code, CSA C22.2, as applicable.

Electrical diagram located on inside of door.

GAS CONNECTION

NOTICE All gas supply connections and any pipe joint compound must be resistant to the action of propane gases.

The gas inlet is located on the lower rear of the fryer. Codes require that a gas shutoff valve be installed in the gas line ahead of the fryer.

The gas supply line must be at least the equivalent of ½" (12.7 mm) iron pipe for single units and 1-1/4" (31.75 mm) for batteries. If using the optional quick-disconnect flex hose, ¾" (19 mm) iron pipe for single units and 1-1/4" (31.75 cm) iron pipe for batteries.

Make sure the pipes are clean and free of obstructions, dirt, and piping compound. A battery requires one or two connections of appropriate size for the gas requirement.

▲ WARNING Prior to lighting, check all joints in the gas supply line for leaks. Use soap and water solution. Do not use an open flame.

After piping has been checked for leaks, fully purge gas pipes to remove air.

GAS PRESSURES (ALL MODELS):

The gas measured exiting the gas valve should be set at 3.5" W.C. (Water Column) (0.87 kPa) for natural gas and 10" W.C. (2.49 kPa) for propane gas. The supply pressure should be 7-9" W.C. for natural gas and 11-12" W.C. for propane gas. If incoming pressure exceeds 14" WC (½ psig -3.45 kPa), a step-down pressure regulator must be installed.

TESTING THE GAS SUPPLY PIPING SYSTEM:

When test pressures exceed ½ psig (3.45 kPa), the fryer and its individual shutoff valve must be disconnected from the gas supply piping system.

When test pressures are ½ psig (3.45 kPa) or less, the fryer must be isolated from the gas supply piping system by closing its individual shutoff valve.

Fryers with Casters:

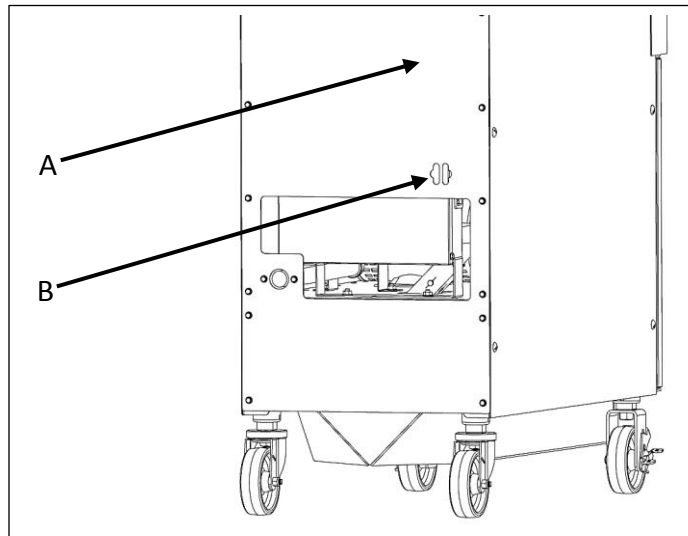
Separate instructions for installing casters are included with the casters:

- ◆ The installation shall be made with a connector that complies with the Standard for Connectors for Movable Gas Appliances, ANSI Z21.69, CAN/CGA-6.16, and a quick-disconnect device that complies with the Standard for Quick-

VHG SERIES GAS FRYERS

Disconnect Devices for Use with Gas Fuel, ANSI z21.41.CSA 6.9 or Quick-Disconnect Devices for Use with Gas Fuel.

- ◆ When installing a quick disconnect you must also install a means for limiting the movement of the fryer. This device will prevent the gas line or quick disconnect from being strained. The restraining device should be attached to the cutout on the back panel. See illustration for location.



A Rear Of Fryer
B Strain Relief Chain Connection
(Chain supplied by others)

- ◆ The fryer must be installed with a connector (not supplied by Vulcan) complying with the above codes.
- ◆ The fryer must be installed with restraining means to guard against transmission of strain to the connector. See illustration.
- ◆ The fryer must be installed with the casters provided.
- ◆ If the restraint is ever to be disconnected, first turn the gas supply off. If disconnection of the restraint is necessary, reconnect this restraint after the fryer has been returned to its originally installed position.

LEVELING THE FRYER

Check the level of the fryer by placing a level on top of the fryer after gas connections have been made.

Ensure that the fryer is level front-to-back and side-to-side in the final installed position.

If using casters, lock the wheels after unit is level.

OPERATION

▲ WARNING Hot oil and parts can cause burns. Use care when operating, cleaning and servicing the fryer.

▲ WARNING Spilling hot frying compound can cause severe burns. Do not move fryer without draining all frying compound from the tank.

▲ WARNING Fryer is not to be used during a power outage.

FRYER CAPACITIES(PER FRY TANK)					
MODEL	# OF BURNERS	BTU/HR NATURAL GAS	BTU/HR PROPANE GAS	WIDTH INCH(CM)	SHORTENING LBS(KG)
VHG50	4	80,000	75,000	13-1/2(34.3)	45-50(20.4 - 22.7)
VHG75	6	110,000	100,000	18(45.7)	70(31.8)

OVER-TEMPERATURE SHUTDOWN

If the shortening becomes overheated, a high-temperature shutoff device will turn the gas valve off. The shutoff device will automatically reset after the shortening cools down.

If the fryer shuts down due to overheating, DO NOT power up the fryer until the shortening temperature is below 300°F (149°C).

If an overheating situation persists, contact your local Vulcan authorized service office.

BEFORE FIRST USE

Cleaning

New units are wiped down at the factory to remove any visible signs of dirt, oil, grease, etc. remaining from the manufacturing process.

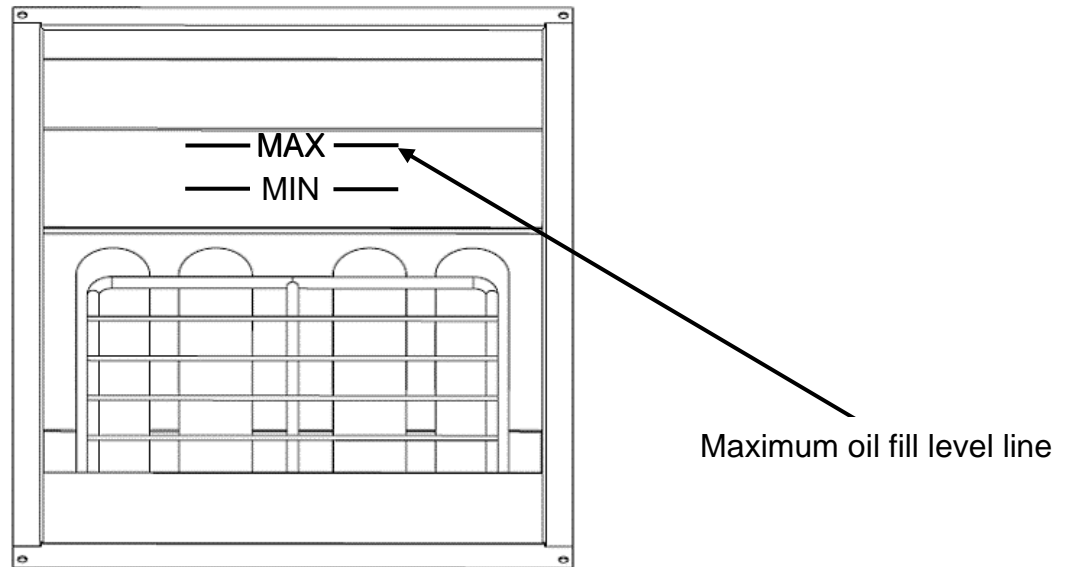
Before any food preparation, thoroughly wash the protective oil from all surface parts and the tank interior with hot soapy water to remove any film residue and dust or debris.

NOTICE Do not use chlorine or sulfate/sulfide cleaners.

- ◆ Wash any accessories shipped with unit.
- ◆ Rinse fryer and accessories thoroughly and drain the fryer.
- ◆ Wipe tank completely dry with a soft, clean cloth.
- ◆ Close the drain valve.
- ◆ Fill the fryer tank with liquid shortening.

FILLING THE FRY TANK WITH SHORTENING

NOTICE The fry tank must be filled with frying oil or water before turning the burners on. The fry tank can be damaged if the burners are turned on while empty and will void your warranty.



- Close the drain valve.
- Fill the fryer tank with frying oil or shortening.
- Oil level should be between the MIN and MAX lines on the fryer tank.
- Oil will expand when heated. Do not fill the fryer tank past the MAX line.
- Add fresh shortening or frying oil as needed to maintain oil level.

NOTICE When using a solid shortening, ensure the shortening is packed tightly in the tank to eliminate any air pockets. Air pockets can cause ignition points and fry tank damage.

BASIC FRYING INSTRUCTION

Set the desired temperature and allow shortening to heat up to that temperature.

- Fry items that are the same size to ensure equal doneness.
- Drain or wipe dry raw or wet foods to minimize splatter when lowering into hot shortening.
- Add fresh shortening as needed.

Fry Basket Guidelines

- Do not overfill baskets. (See table for recommended basket capacities below) .Carefully lower basket into oil.
- When frying doughnuts and fritters, turn product only once during frying.
- When cooking French fries or onion rings, shake the basket several times.
- Batter covered foods should be dropped carefully, one by one, into shortening or basket. If you use the basket, first dip the basket into the shortening to reduce batter-build up on basket surfaces.
- When frying is completed, remove basket or product. Hang basket on rear hanger.

Fry Basket Capacity:

VHG50: Recommended pounds per basket are 2.5 lbs. (1.1 kg).

VHG75: Recommended pounds per basket are 3.5 lbs. (1.6 kg).

EXTENDING SHORTENING LIFE

Shortening life can be extended by the following guidelines:

- ◆ Do not salt foods over the fryer.
- ◆ Use good-quality shortening.
- ◆ Filter shortening daily (at a minimum).
- ◆ Replace shortening if it becomes poorly flavored.
- ◆ Keep equipment and surrounding clean. Use tank covers when not in use. (accessory).
- ◆ Set thermostat correctly.
- ◆ Remove excess moisture and particles from food products before placing in fryer.

TURNING ON THE FRYER

▲ WARNING To prevent possible ignition of the shortening on start up, the melt mode must be set to solid mode when using a solid shortening.

NOTICE The fry tank must be filled with frying oil or water before turning the burners on. The fry tank can be damaged if the burners are turned on while empty and will void your warranty. Do not by-pass the dry fire test until proper oil or water level is confirmed.

Wait 5 minutes with power switch in the off position before starting to allow any gas that may have accumulated in the burner compartment to escape.

VHG SERIES GAS FRYERS



1. Open the bottom fryer door and press the power switch to the ON position.

The controller will power on, show the current temperature setpoint in the display window and begin the dry fire test.

The START light flashes during dry fire test.



2. The dry fire test can be by-passed by visually confirming oil level then pressing the START button.

Set the desired cooking temperature by turning the knob in either direction. The display will flash while making changes.



3. If dry fire test fails, Vat FULL? PRESS START scrolls across the display window.



Confirm that the fry tank is filled with oil. Press the START button to begin heating and melt cycle.



4. Press and hold the TEMP button for 3 seconds to change the dry fire setting.

dF will display in the window. Turn the knob left and right to turn the dry fire option on or off.

Press the START button to save the selection.

NOTICE The dry fire Test function is an important feature intended to prevent the fryer burners from turning on with no liquid in the fry tank. It is recommended to be left in the on position. The fry tank can be damaged if the burners are turned on while empty and will void your warranty.



5. Press the MELT button to cycle through to the correct setting to match the shortening type used.

GREEN- Liquid Melt Mode-Window displays L when MELT button is pressed.
ORANGE-Solid Melt Mode-Window displays S when MELT button is pressed.
RED- No Melt Mode-Window displays no when MELT button is pressed.

The MELT light flashes and the fryer will heat off and on until the vat temperature exceeds 135°.

VHG SERIES GAS FRYERS



6. Once temperature exceeds 135°F (or if set To NO MELT), the fryer will heat continuously until the controller set point is reached.

The MELT light stays on continuously.

The HEATING light will go off once the setpoint is reached.



7. The display window will always show the current temperature Setpoint.

Press the TEMP button to show the actual temperature for 3 seconds.

TURNING OFF THE FRYER

1. Open the bottom fryer door and press the power switch to the off position.

⚠ WARNING Spilling hot frying compound can cause severe burns. Do not move fryer without draining all frying compound from the tank.

DRAINING THE TANK

Freestanding Models Without A Filter System Only:

1. Turn off fryer.
2. Insert the drain extension into the drain valve. Tighten only hand tight.
3. Direct the drain spout into the container that you want to drain the shortening into.
4. Open the drain valve. The oil will drain into the container. When the container is full or the fryer tank is empty, close the drain valve. Repeat this step until the fryer is empty. Remove the drain extension and place it back into the provided holder.
5. It is recommended to now boil out your fry tank. Follow the Boil Out procedure. Then perform the weekly clean-out as described under CLEANING.
6. Once tank is completely empty, boiled out and cleaned, close the drain valve and add new shortening. Follow the FILLING TANK WITH SHORTENING procedure in this manual.
7. Turn on the power switch and follow the Turning On procedure for the control type to begin heating the oil to desired temperature.

BOIL OUT PROCEDURE

Weekly or when oil is replaced:

Freestanding Models Without A Filter System Only:

1. Drain the tank as described under DRAINING THE OIL.
2. Close the drain valve and fill tank with water. Use a boil out solid degreaser which can be ordered from your local dealer. Follow the instructions on the side of the package.

NOTICE Do not use chlorine or sulfate/sulfide cleaners.

3. Solution level must be between the MIN and MAX lines on the back of the fryer tank.
4. Turn the power switch to the on position, follow the Turning On procedure for the control type. With solid state knob controls (A), set the temperature setpoint 195°F. Water boils at 212°F. Do not bring water to a boil. Fryer boil over can result.
5. Use the tank brush; clean the sides, bottom and heat exchanger tubes.
6. Screw the drain extension in the drain valve and hand tighten only. Drain the cleaning solution from the tank into a container.
7. Close the drain valve and refill the tank with water. Add 1 cup (1/4 L) of vinegar to neutralize alkaline left by the cleaner. Solution level must be between the MIN and MAX line on the back of the fryer tank. Press the START button for (A) models to allow the solution to heat up. Allow solution to stand for a few minutes.
8. Drain the tank according to DRAINING THE TANK procedure. Rinse thoroughly with clear, hot water. All traces of cleaner must be removed. Dry the tank thoroughly.
9. Close the drain valve and add shortening. Follow the FILLING TANK WITH SHORTENING procedure in this manual.
10. The fryer is now ready for use. Turn on the power switch and follow the Turning On procedure for the control type to begin heating the oil to desired temperature.

CLEANING

▲ WARNING Hot oil and hot parts can cause burns. Use care when operating, cleaning, and servicing the fryer.

Daily

Clean your fryer regularly with the tank brush along with a damp cloth, and polish with a soft dry cloth. If regular cleaning is neglected, grease will be burned on and discolorations may form.

Fingerprints are sometimes a problem on highly polished surfaces of stainless steel. They can be minimized by applying a cleaner that will leave a thin oily or waxy film.

- ◆ Clean all exterior surfaces of your fryer at least once daily.

VHG SERIES GAS FRYERS

- ◆ Use a damp cloth with warm water and a mild soap or detergent.

NOTICE Do not use chlorine or sulfate/sulfide cleaners.

- ◆ Rinse thoroughly, and then dry with a soft dry cloth.
- ◆ Keep the fryer exterior clean and free of accumulated grease to prevent stubborn stains from forming. If regular cleaning is neglected, grease will be burned on and discolorations may form.
- ◆ Remove discolorations by washing with any detergent or soap and water.
- ◆ Use a self-soaping, non-metallic scouring pad for particularly stubborn discolorations.
- ◆ Always rub with the grain of the stainless steel.
- ◆ Do not use a metallic scoring pad or harsh cleaners.

EXTENDED SHUTDOWN

1. Thoroughly drain the fryer. Refer to DRAINING THE FRYER.
2. Clean the fryer according to CLEANING.
3. Push Power switch to the off position
4. Turn off the main gas shutoff valve.

KLEENSCREEN PLUS® FILTRATION SYSTEM

General

The KleenScreen *PLUS*® filtration system filters the oil as it is pumped back into its' respective tank(s). Only one tank can be drained and filtered at a time. Under no circumstances should more than one tank be drained at the same time.

Assembly

- After unpacking, wash the filter pan, crumb basket, suction tube and filter screen assembly. Make sure you remove the insert located inside the filter screen. Use dishwashing detergent and warm water, (parts are dishwasher safe). Rinse the filter pan, crumb basket and filter screen components completely and wipe all parts dry with a clean cloth.
- Pull out the filter pan all the way and remove to wash.
- The filter pan slides can be removed for washing by pushing the slides back into the fryer. Then rotate the bottom of the slide toward the center of the fryer and lift out. Reverse the procedure to install.

VHG SERIES GAS FRYERS

- Slide the filter pan back into the drawer slides. Position the filter screen assembly into the suction tube clip in the filter pan positioning the filter screen assembly flat on the bottom of the filter pan.
- Carefully line up the suction tube so that it mates with the oil receptacle block mounted on the frame of the fryer battery. Close the filter pan drawer. See Figures 1 and 2.

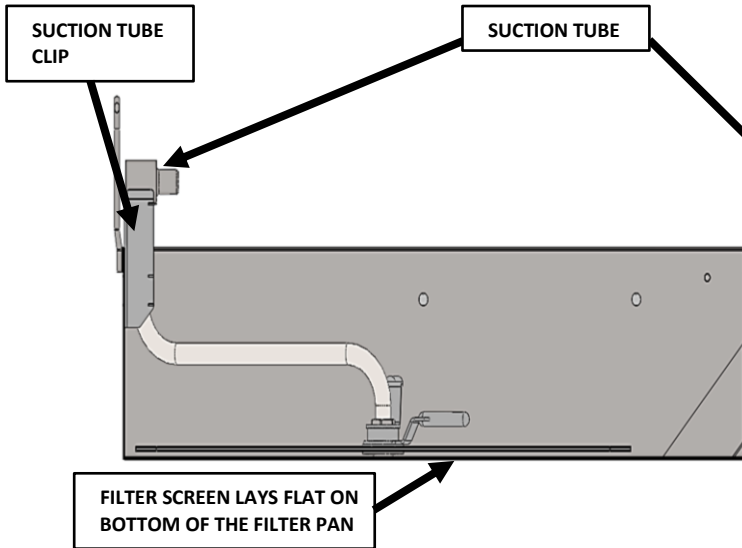
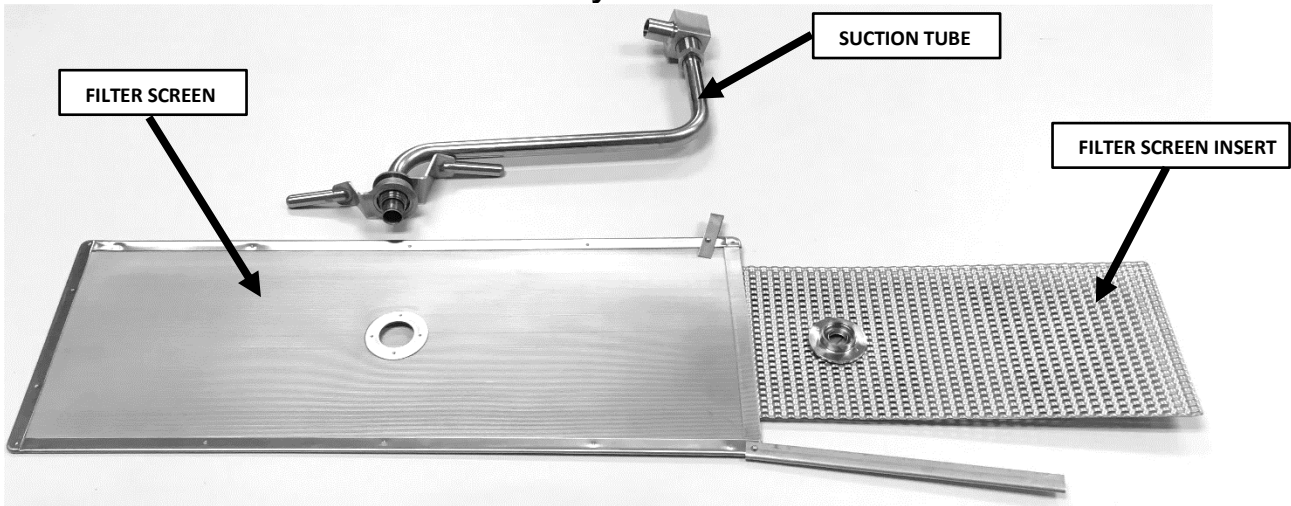


Fig.1



Fig.2

Fine Mesh Steel Filter Screen Assembly



1. Slide the filter screen insert into the filter screen and align the center holes. Close the end latch to secure into place.



2. Insert suction tube into the filter screen hole. Align the threads of the top handle with the filter screen threads. Gently turn clockwise until tightened.

NOTICE Do not use tools. Hand tighten only.



3. Gently turn the bottom handle clockwise until tightened.

NOTICE Do not use tools. Hand tighten only.

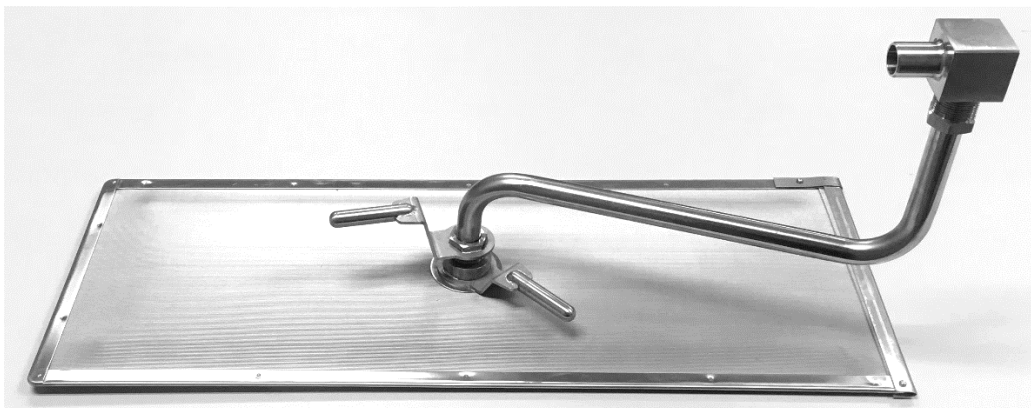


Fig.3

Remove the fine mesh steel assembly from the filter pan and clean daily (or more frequently as required by your operation). Dissassemble the filter screen assembly by reversing steps 1-3 and removing the insert located inside the filter screen. Do not take the suction tube apart. Use dishwashing detergent and warm water, (parts are dishwasher safe).

Micro-Filtration Fabric Envelope Accessory Assembly

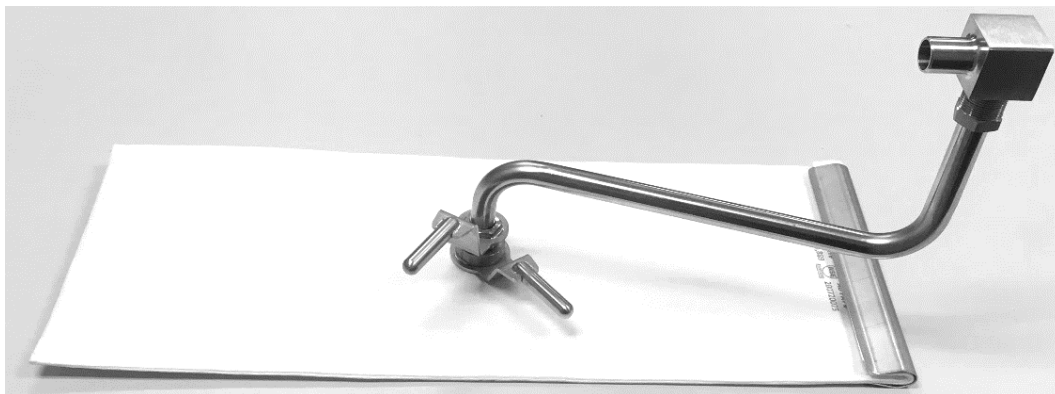
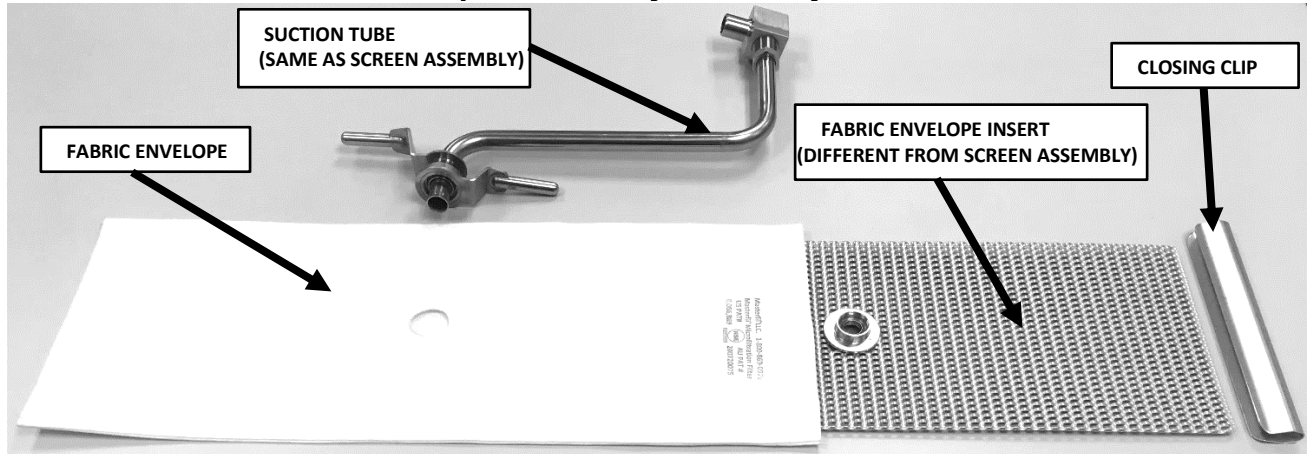


Fig.4

Slide the fabric envelope insert into the envelope and align the center holes. Fold over the open end of the envelope and place closing clip on – hinge over and firmly press clip all the way down to secure and seal filter assembly. Make sure that the folded end of the envelope is face down.

Attach suction tube in same manner as the screen assembly shown on previous page. Dissassemble the fabric envelope assembly by reversing steps.

NOTICE Do not use tools. Hand tighten only.

Remove the fabric envelope assembly from the filter pan and clean daily (or more frequently as required by your operation). Scrape debris and sludge from envelope surfaces with a spatula.

NOTICE Do not wash the fabric envelope.

VHG SERIES GAS FRYERS
INSTRUCTIONS TO REMOVE & REPLACE KLEENSCREEN PLUS® FILTER ENVELOPE

FOR ABSOLUTE FILTRATION & MAXIMUM FLOW RATE WE RECOMMEND YOU CHANGE YOUR FILTER ENVELOPES AT EVERY OIL CHANGE (10-14 DAYS DEPENDING ON OIL USAGE).



⚠ WARNING Hot oil and parts can cause burns. Use care when operating, cleaning and servicing the fryer.

Step 1

Discard all oil from the filter vessel. When the filter pan is empty, use a spatula and scrape off all debris left on the filter envelope and in the filter pan.



Step 2

Unscrew the suction tube from filter by first turning the bottom handle fitting counter clockwise until completely loosened. Next, turn the top handle fitting counter clockwise until completely loosened.



Step 3

Remove the closing clip.



Step 4

Remove the envelope insert, wash insert with hot water and dry thoroughly. The envelope insert is dishwasher safe. Place the insert into a new KleenScreen PLUS® Filter envelope.

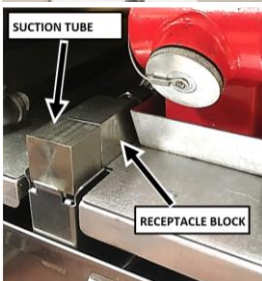
NOTICE Do not wash the fabric envelope.



Step 5

Slide the envelope insert into the fabric envelope making sure that the holes line up. Fold over the open end of the envelope and place closing clip on – hinge over and firmly press clip all the way down to secure and seal filter assembly. Make sure that the folded end is face down. Attach the suction tube assembly by first tightening the top handle fitting and then tighten the bottom handle fitting.

NOTICE Do not use tools. Hand tighten only.



Step 6

Position the filter screen assembly into the suction tube clip in the filter pan, positioning the filter screen assembly flat on the bottom of the filter pan. Align the tube so that the end of the tube tube engages the oil receptacle fitting each time the drawer is opened and closed.

FILTERING PROCEDURE – KleenScreen PLUS® Models ONLY

⚠ WARNING Hot oil and parts can cause burns. Use care when operating, cleaning and servicing the fryer.

⚠ WARNING Spilling hot frying compound can cause severe burns. Do not move fryer without draining all frying compound from the tank.

NOTICE Never run water or boil out solution through filter and motor / pump. Doing so will void your fryer warranty.

NOTICE Filter ONLY one fry tank at a time to avoid overflow and spillage.

NOTICE Do NOT turn off the power to the fryer. Leave power on.

Filtering Solid State Knob Control

⚠ WARNING Hot oil and parts can cause burns. Use care when operating, cleaning and servicing the fryer. Do not leave unattended.

⚠ WARNING Spilling hot frying compound can cause severe burns. Do not move fryer without draining all frying compound from the tank.

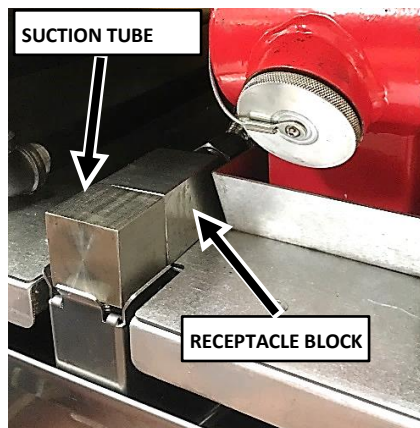
NOTICE Never run water or boil out solution through filter and motor / pump. Doing so will void your fryer warranty.

NOTICE Do NOT turn off the power to the fryer. Leave power on.

NOTICE Filter ONLY one fry tank at a time to avoid overflow and spillage.



1. Do NOT turn off the power to the fryer. Leave power on. Vulcan recommends adding an oil treatment media to the oil prior to filtering. Always filter the oil when hot at 300°F - 350°F.



2. Make sure that the filter drawer is closed completely and that the suction tube and receptacle block are in the correct position.



3. Slowly open the drain valve to allow oil to flow from The fry tank to the filter pan. Then open the drain valve all the way. The fryer will automatically stop heating.

VHG SERIES GAS FRYERS



4. The display will indicate *drn*. When the fry tank is empty, turn on the filter pump by pressing the filter icon button for 3-4 seconds. Allow the pump to filter the oil for a couple of minutes before closing the drain valve.

5. Close the drain valve. The display will begin to scroll; *FILL VAT-PRESS FILTER*. The display will alternate from *FILLING* to *PRESS FILTER*. Fill to between the MIN and MAX lines on the back of the fryer tank. Oil will expand as it is heated. Do not fill the fryer tank past the MAX line.

6. Press the filter icon button again to stop the filter pump. The display will begin to scroll; *VAT FULL?-PRESS START*. Press the START(V) button. The fryer will then begin heating the oil to the desired temperature.

FLUSH/RINSE AND DISCARD OIL



1. Follow filtering instructions 1-3, however do not put oil treatment media into the fryer. Drain the fryer oil into the filter pan.
2. Attach the quick disconnect hose to the discard male quick disconnect fitting.
3. To discard the oil, place the nozzle end of the discard hose into a container that is large enough to retain the discarded shortening. Press the filter switch behind the door to the "USE HOSE TO DISCARD ONLY" position. This will allow all of the oil to be pumped through the hose only.
4. For flushing/rinsing the tank with filtered oil to remove the particulates that have accumulated, press the filter switch behind the door to the "USE HOSE TO RINSE AND FILL" position. This will allow the oil to pass through the hose and come in from behind the tank at the same time.



⚠ WARNING Oil will immediately exit out of the nozzle end of the hose any time the hose is plugged in and the filter pump is engaged.

5. With the power switch still ON; press and hold the filter button for at least 3-4 seconds and the Motor/Pump will begin to operate.
6. Once the oil has been discarded completely and the filter pan is empty, press the filter button to turn off the Motor/ Pump.

⚠ WARNING The hose connection will be hot due to the temperature of the oil that was discarded and can cause burns.

7. Disconnect the discard hose. Be careful to let the hose drain before putting away. Close the drain valve and fill the fry tank with new oil.

NOTICE If discard vessel is not large enough to hold the entire shortening amount, stop the flow by pushing the filter button to turn the motor/pump off. Empty the container and resume discard operation by pressing the filter holding for 3-4 seconds.

NOTICE If power is mistakenly turned off during the filtering operation, the corrective action is as follows.

1. Close the drain valve
2. Turn the power switch on
3. Immediately open drain valve
4. Continue filtering operation

VHG SERIES GAS FRYERS

FILTERING TIP:

Open the filtering drawer approximately 1" to allow any oil in the return line to run back into the filter pan. This will take about 30 seconds to complete. Then open the drawer completely to clean filter components.

REMOVING EXCESS DEBRIS FROM THE SCREEN FILTER:

▲ WARNING Hot oil and hot parts can cause burns.

NOTICE Never run water or boil out solution through filter and motor / pump. Doing so will void your fryer warranty.

NOTICE Filter ONLY one fry tank at a time to avoid overflow and spillage.

FILTERING TIP:

Open the filtering drawer approximately 1" to allow any oil in the return line to run back into the filter pan. This will take about 30 seconds to complete. Then open the drawer completely to clean filter components.

1. Pull the filter drawer out.
2. Remove the filter screen assembly. Scrape debris from the filter screen. Then remove the insert by unlatching the latch. Clean all parts thoroughly as mentioned in the assembly section on page 16.
3. Scrape debris from the bottom of the filter pan and discard in the trash. Clean all parts thoroughly as mentioned in the Assembly section on page 16.
4. Reassemble all filter components after being dried thoroughly as in the assembly section on page 16.

BOIL OUT PROCEDURE:

▲ WARNING Hot oil and hot parts can cause burns.

NOTICE Never run water or boil out solution through filter and motor / pump. Doing so will void your fryer warranty.

1. Discard oil as described under FLUSH/RINSE AND DISCARD OIL section
2. Close the drain valve and fill tank with water. Use a boil out solid degreaser which can be ordered from your local dealer. Follow the instructions on the side of the package.

NOTICE Do not use chlorine or sulfate /sulfide cleaners.

3. Solution level must be between the MIN and MAX levels on the fryer tank.
4. Turn the power switch to the on position. With solid state knob controls (A), set the temperature setpoint to 195°F. Press the start button. Water boils at 212°F.

VHG SERIES GAS FRYERS

Do not bring water to a boil. Fryer boil over can result.

5. Use the tank brush; clean the sides, bottom and heat exchanger tubes.
6. Unthread the Boil Out By-Pass™ drain plug and thread in the Boil Out By-Pass™ extension tube as shown in Fig. 6. The larger thread end screws into the back of the drain manifold as shown in the cutaway side view in Fig. 7.
7. Do not allow water to run through the motor/pump. Drain the boil out solution into a bucket or place a high temperature rated water hose on the end of the drain extension allowing the other end to flow into a floor drain.
8. Close the drain valve and refill the tank with water. Add 1 cup (1/4 L) of vinegar to neutralize alkaline left by the cleaner. Solution level must be between the MIN and MAX level on the fryer tank. Press the START(V) button on the solid state knob control (A), to allow the solution to heat up. Allow solution to stand for a few minutes.
9. Drain the tank by repeating step 7. Rinse thoroughly with clear, hot water. All traces of cleaner must be removed. Dry the tank thoroughly.
10. Close the drain valve and add shortening.



Fig. 6

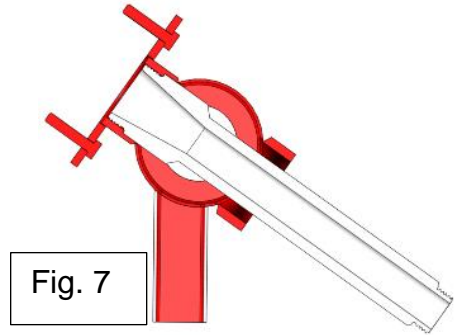


Fig. 7

THERMAL OVERLOAD PROTECTION BUTTON:

The motor/pump supplied with the filter system has a thermal overload protection circuit that senses when excess heat occurs. This can occur due to filtering for long periods of time or under heavy load prior to discarding debris buildup. If the thermal overload protection is tripped, wait 5 minutes and then reset the motor by pushing in the red button. The arrow in Figure 8 shows the location of the reset button; located on the right side of the motor / pump.

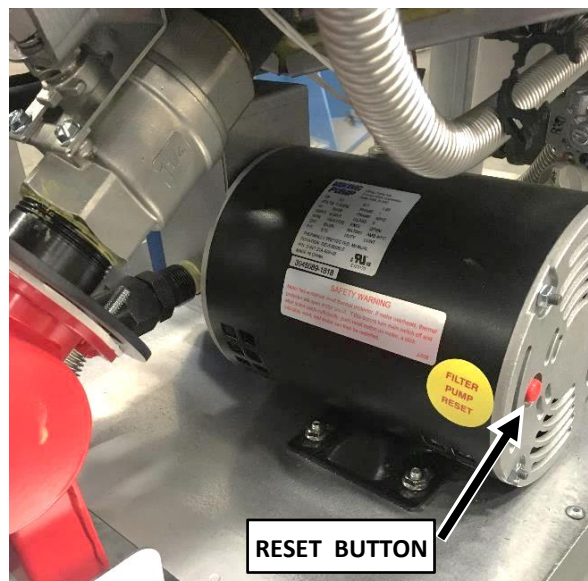


Fig 8.

⚠ WARNING The pump may start immediately when the reset button is pushed and begin circulating hot oil.

MAINTENANCE

⚠ WARNING Hot oil and hot parts can cause burns. Use care when operating, cleaning, and servicing the fryer.

⚠ WARNING Spilling hot fryer compound can cause severe burns. Do not move fryer without draining all frying compound from the tank.

⚠ WARNING Disconnect the power supply to the fryer before servicing.

LUBRICATION

There are no parts that require lubrication.

FLUE VENT INSPECTION

When the fryer is cool, inspect annually. Check the flue and clear any obstructions.

ANNUAL INSPECTION

Contact an authorized service contractor for an annual inspection of the fryer.

SERVICE IN THE US AND CANADA

Contact the factory, the factory representative or authorized service contractor in your area to perform maintenance and repairs. For a complete listing of Service and Parts depots refer to www.vulcanequipment.com

ERROR MESSAGES

PILOT OUT – If the pilot is out, the digital control displays the following message:

“A” Solid State Knob – PLt

NO OR LOW GAS SUPPLY – If no action is taken after 90 seconds, the heat demand is disabled. The digital control displays the following message:

“A” Solid State Knob – PLt

The fryer must be turned off, then back on to re-initialize the control and to have normal functions resumed.

OPEN PROBE – If an open probe is detected, the heat demand is disabled. All operator buttons are disabled. The digital control displays the following message:

“A” Solid State Knob – oP

SHORTED PROBE – If a shorted probe is detected, the heat demand is disabled. All operator buttons are disabled. The digital control displays the following message:

“A” Solid State Knob – SP

Hi TEMPERATURE – If the temperature is greater than or equal to 415°F (212°C) or 40°F above the setpoint, the heat demand is disabled. All operator buttons are disabled. The control displays the following message:

“A” Solid State Knob – HI

TROUBLESHOOTING CHART	
PROBLEM	PROBABLE CAUSE
No heat	<ol style="list-style-type: none"> 1. Power switch not turned on 2. Gas supply not turned on – check external gas valve on and gas hose properly connected 3. Wire connections loose or need cleaning(Call service) 4. High limit tripped(Call service) 5. Check that power cord is plugged in properly
Insufficient or too much heat	<ol style="list-style-type: none"> 1. Temperature not adjusted to desired setpoint 2. High limit tripped(Call service) 3. Temperature probe(Call service) 4. Gas pressure inadequate(Call service)
Tank will not drain	<ol style="list-style-type: none"> 1. Shortening is too cold. Heat oil to a minimum of 300° F. 2. Drain pipe clogged with debris
Motor/pump will not pump oil	<ol style="list-style-type: none"> 1. Suction tube is not seated correctly in receptacle block. 2. Filter screen or envelope is clogged and needs cleaning. 3. Shortening is too cold. Heat oil to a minimum of 300° F. 4. Discard switch is not properly set either for filtering or discarding. 5. Motor thermal overload protection button is tripped.



GUIDE D'INSTALLATION ET D'UTILISATION



FRITEUSES À GAZ SÉRIE VHG-A

AVEC SYSTÈME DE FILTRATION KLEENSCREEN PLUS^{MD}

MODÈLES:

1VHG50A
1VHG75A
2VHG50A
2VHG75A
3VHG50A
3VHG75A
4VHG50A
4VHG75A



Modèle 1VHG75AF

SERVICE TECHNIQUE ET ASSISTANCE EN PIÈCES - US: 1-800-814-2028 | CANADA: 1-800-444-4764

Pour obtenir des renseignements supplémentaires au sujet de Vulcan ou pour trouver un fournisseur de pièces et service autorisé dans votre région, veuillez visiter notre site web à vulcanequipment.com.

RENSEIGNEMENTS DE SÉCURITÉ IMPORTANTS

CE MANUEL A ÉTÉ ÉLABORÉ POUR DU PERSONNEL QUALIFIÉ EN VUE DE L'INSTALLATION D'UN APPAREIL FONCTIONNANT AU GAZ, DE LA MISE EN MARCHÉ INITIALE SUR LE SITE ET DES AJUSTEMENTS DE L'APPAREIL COUVERT PAR CE MANUEL.

AFFICHER À UN ENDROIT VISIBLE LES DIRECTIVES À SUIVRE EN PRÉSENCE D'ODEUR DE GAZ. CES RENSEIGNEMENTS PEUVENT AUSSI ÊTRE OBTENUS AUPRÈS D'UN FOURNISSEUR LOCAL DE GAZ.

IMPORTANT

EN PRÉSENCE D'ODEUR DE GAZ, ARRÊTER L'APPAREIL À L'AIDE DE LA SOUPAPE PRINCIPALE ET COMMUNIQUER AVEC LA COMPAGNIE DE GAZ OU LE FOURNISSEUR DE GAZ LOCAL POUR LA RÉPARATION DE L'APPAREIL.

POUR VOTRE SÉCURITÉ

NE PAS RANGER NI UTILISER D'ESSENCE OU D'AUTRES VAPEURS OU LIQUIDES INFLAMMABLES DANS LES ENVIRONS DE CET APPAREIL OU DE TOUT AUTRE APPAREIL ÉLECTROMÉNAGER.

WARNING

Une installation, un ajustement, une modification, une réparation ou un entretien inappropriés peuvent entraîner des dommages, des blessures ou la mort.

Lire attentivement les directives d'installation, d'utilisation et d'entretien avant d'installer ou de faire l'entretien de cet appareil.

IMPORTANT

DANS L'ÉVENTUALITÉ D'UNE COUPURE DE COURANT, NE PAS ESSAYER D'UTILISER CE DISPOSITIF

TABLE DES MATIÈRES

RENSEIGNEMENTS DE SÉCURITÉ IMPORTANTS	2
INTRODUCTION.....	4
GÉNÉRALITÉS	4
COMMANDE DE PIÈCES	4
DÉBALLAGE.....	4
INSTALLATION.....	5
Dégagements.....	6
Emplacement	6
CODES ET NORMES.....	6
MONTAGE	7
RACCORDEMENT DU CONDUIT DE FUMÉE.....	7
CONNEXIONS ÉLECTRIQUES	8
RACCORDEMENT DU GAZ.....	8
Raccord rapide pour les appareils sur roulettes	9
PRESSIION DU GAZ.....	9
TEST DE L'ALIMENTATION EN GAZ.....	9
FRITEUSES AVEC ROULETTES	9
MISE À NIVEAU DE LA FRITEUSE	10
UTILISATION	10
CAPACITÉS DE LA FRITEUSE.....	11
ARRÊT EN CAS DE SURCHAUFFE.....	11
AVANT LA PREMIÈRE UTILISATION.....	11
Nettoyage.....	11
REPLISSAGE DU RÉSERVOIR AVEC DE LA GRAISSE ALIMENTAIRE	12
DIRECTIVES DE FRITURE DE BASE	13
Directives d'utilisation du panier à friture	13
Capacité du panier à friture.....	13
PROLONGATION DE LA DURÉE DE VIE DE LA GRAISSE	13
ALLUMAGE DE LA FRITEUSE	14
Mise sous tension avec le bouton de commande à semi-conducteurs (A)	14
MISE HORS TENSION DE LA FRITEUSE	15
VIDANGE DE LA CUVE – FRITEUSES AUTOSTABLES.....	15
PROCÉDURE D'ÉBOUILLANTAGE – FRITEUSES AUTOSTABLES.....	16
NETTOYAGE	17
Quotidien.....	17
ARRÊT PROLONGÉ.....	17
INSTALLATION ET UTILISATION DE KLEENSCREEN <i>PLUSMD</i>	18
Généralités	18
Montage	18
Ensemble écran-filtre à mailles fines en acier.....	19
Montage de l'enveloppe en tissu de microfiltration.....	21
ENLEVER ET REMPLACER L'ENVELOPPE DE FILTRE KLEENSCREEN <i>PLUSMD</i>	22
PROCÉDURE DE FILTRAGE	23
FILTRAGE AVEC LE BOUTON DE COMMANDE À SEMI-CONDUCTEURS (A).....	23
Vidange/rinçage et mise au rebut de l'huile.....	25
RETRAIT DE L'EXCÉDENT DE DÉBRIS DU FILTRE	25
Conseils pour le filtrage	26
PROCÉDURE D'ÉBOUILLANTAGE.....	26

FRITEUSES À GAZ SÉRIE VHG

BOUTON DE RÉINITIALISATION DE LA PROTECTION CONTRE LES SURCHARGES THERMIQUES	27
ENTRETIEN.....	28
INSPECTION DU CONDUIT DE FUMÉE.....	28
Service aux États-Unis et au Canada	28
MESSAGES D'ERREUR	29
DÉPANNAGE.....	30
Tableau de dépannage	30

INTRODUCTION

GÉNÉRALITÉS

Les friteuses Vulcan sont fabriquées avec de la main-d'œuvre qualifiée et des matériaux de qualité. Une installation, une utilisation et un entretien appropriés favoriseront des années de performance satisfaisante.

Avant d'installer la friteuse, lisez ce manuel en entier et suivez attentivement toutes les instructions.

Ce manuel s'applique au modèle figurant sur la page de couverture. Les procédures décrites dans ce manuel s'appliquent à tous les modèles sauf indication contraire. Les images et les illustrations peuvent être de n'importe quel modèle sauf si la photo ou l'illustration doit être spécifique du modèle.

COMMANDE DE PIÈCES

Les clients peuvent commander des pièces directement de leur centre de service autorisé. Si vous ne le connaissez pas, appelez le Service à la clientèle de Vulcan au 800-814-2028.

Pour accélérer votre commande, indiquez le numéro de modèle, le numéro de série, le type de gaz, la pièce nécessaire, le numéro de référence de l'article (si connu) et la quantité nécessaire.

DÉBALLAGE

Cette friteuse a été inspectée avant de quitter l'usine. En acceptant sa livraison, le transporteur prend l'entière responsabilité de la livrer en toute sécurité. Immédiatement après la livraison, vérifiez si elle a effectivement subi des dommages pendant le transport.

S'il s'avère que la friteuse a été endommagée, veuillez suivre les procédures suivantes :

1. Le transporteur doit être averti dans les 5 jours ouvrables suivant la réception.
2. Informez immédiatement le terminal local du transporteur de la découverte de tout dommage (indiquez l'heure, la date et votre interlocuteur), assurez le suivi et confirmez les faits par écrit ou communication électronique.
3. Pour fins d'inspection, tout le matériel d'emballage original doit être conservé.
4. La friteuse ne doit pas avoir été déplacée, installée ou modifiée.
5. Avisez le Service à la clientèle de Vulcan immédiatement en faisant le 800-814-2028.

Vérifiez que les éléments suivants ont été inclus :

- ◆ Ramasse-miettes
- ◆ Support(s) à panier
- ◆ Brosse à cuve pour procédure d'ébouillantage seulement.
- ◆ Roulettes réglables (4), deux verrouillables et deux non verrouillables pour les friteuses autostables. Les batteries de friteuse avec le système de filtration KleenScreen *PLUS*® ont des roulettes installées à l'usine.
- ◆ Rallonge de tuyau de vidange pour les friteuses autostables seulement.
- ◆ Paniers à friture double (2) par cuve de friture.
- ◆ Tige de nettoyage
- ◆ Batteries de friteuse avec système de filtration KleenScreen *PLUS*®
 - Porte-filtre
 - Tube d'aspiration
 - Ensemble écran-filtre
 - Tuyau de vidange haute température
 - Crépine-panier
 - Manuel, guide(s) de démarrage rapide et garantie – gardez-les dans un endroit sécuritaire pour consultation ultérieure.

INSTALLATION

N'utilisez pas la porte ou sa poignée pour soulever la friteuse.

Avant l'installation de la friteuse, vérifiez que le type de gaz (naturel ou propane) est conforme aux spécifications de la plaque signalétique de la friteuse, située à l'intérieur du panneau de porte. Assurez-vous que la friteuse est configurée pour l'élévation appropriée.

Inscrivez les numéros de modèle, d'appareil et de série de votre friteuse dans l'espace prévu ci-dessous à des fins de référence ultérieure. Ces renseignements sont inscrits sur la plaque signalétique de la friteuse.

N° de modèle de la friteuse : _____

Appareil : _____

N° de série : _____

Dégagements

- ◆ Dégagement minimum de toute construction combustible :
6 po (15 cm) sur les côtés de la friteuse
6 po (15 cm) à l'arrière de la friteuse
La friteuse peut être installée sur des sols constitués de matériaux combustibles
- ◆ Dégagement minimum de toute construction non combustible :
0 po sur les côtés de la friteuse
0 po à l'arrière de la friteuse
- ◆ Entre la friteuse et toute flamme découverte :
16 po (41 cm)
- ◆ Laissez de l'espace pour l'entretien et l'utilisation.
Certaines procédures d'entretien requièrent de retirer les panneaux latéraux ou d'accéder à l'arrière de l'appareil.

Emplacement

- ◆ Installez la friteuse dans une zone disposant d'une alimentation en air suffisante pour la combustion des gaz.
- ◆ N'obstruez pas la circulation de l'air de combustion et d'aération.
- ◆ Un dégagement approprié des ouvertures d'air dans la chambre de combustion doit être fourni.
- ◆ Ne laissez jamais un ventilateur souffler directement sur la friteuse.
- ◆ Gardez la friteuse dans une zone libre de substances combustibles.
- ◆ Évitez les ventilateurs muraux qui produisent des contre-courants d'air dans la pièce. Évitez d'ouvrir des fenêtres à proximité de la friteuse.

CODES ET NORMES

La friteuse doit être installée conformément aux codes et normes suivants :

Aux États-Unis :

- ◆ Codes d'État et codes locaux, ou en l'absence de codes locaux :
- ◆ National Fuel Gas Code, ANSI-Z223.1/NFPA n° 54 (plus récente édition). Des exemplaires sont disponibles auprès de The American Gas Association Accredited Standards Committee Z223, @ 400 N. Capital St. NW, Washington, DC 20001 ou du Secretary Standards Council, NFPA, 1 Batterymarch Park Quincy, MA 02169-7471.

FRITEUSES À GAZ SÉRIE VHG

- ◆ NFPA Standard n° 96 Vapor Removal from Cooking Equipment, plus récente édition, disponible auprès de National Fire Protection Association, Batterymarch Park, Quincy, MA. 02169-7471.
- ◆ National Electrical Code, ANSI/NFPA-70 (plus récente édition). Vous pouvez en obtenir des exemplaires auprès de la National Fire Protection Association, Batterymarch Park, Quincy, MA. 02169-7471.
- ◆ Dans le Commonwealth du Massachusetts, tous les appareils fonctionnant au gaz et ayant une hotte de ventilation ou un système d'échappement avec un registre ou des dispositifs motorisés d'échappement doivent être conformes à la CMR 248.

Au Canada :

- ◆ Codes locaux
- ◆ CAN/CSA-B149.1 Code d'installation du gaz naturel et du propane (plus récente édition), disponible auprès de l'Association canadienne de normalisation, 155 rue Queen, bureau 1300, Ottawa, Ontario Canada K1P 6L1.
- ◆ CSA-C22.1 Code canadien de l'électricité (plus récente édition), disponible auprès de l'Association canadienne de normalisation, 155 rue Queen, bureau 1300, Ottawa, Ontario Canada K1P 6L1.

MONTAGE

La friteuse doit être retenue pour empêcher le basculement et la projection de liquide chaud. Le moyen de retenue peut être la méthode d'installation, telle que la connexion à une batterie d'appareils ménagers, l'installation de la friteuse dans une alcôve ou par des moyens distincts, tels que des liens.

RACCORDEMENT DU CONDUIT DE FUMÉE

Effectuez le raccordement du conduit de fumée comme suit :

- ◆ Conformez-vous à la norme ANSI-NFPA n° 96 *Vapor Removal from Cooking Equipment* (édition la plus récente), disponible auprès de la National Fire Protection Association, Batterymarch Park, Quincy, MA 02269.
- ◆ Placez la friteuse sous une hotte adéquatement raccordée à un conduit d'échappement. La hotte doit dépasser de 6 po (15 cm) au-dessus des deux côtés de la friteuse.
- ◆ Le dégagement au-dessus de la friteuse doit être adéquat pour que les sous-produits de combustion soient éliminés efficacement.
- ◆ Un dégagement minimum de 18 po (46 cm) doit être maintenu entre le conduit de fumée et les filtres du système d'évacuation de la hotte.
- ◆ Ne raccordez jamais directement le conduit de fumée à la friteuse.

- ◆ N'obstruez pas le débit du gaz de l'appareil. Un bon équilibre de l'air doit être maintenu dans la pièce.
- ◆ Veillez à ce que votre système de ventilation ne cause pas un courant descendant à l'ouverture du conduit de fumée de la friteuse. Un courant descendant ne permet pas l'évacuation adéquate des émissions de la friteuse et entraîne une surchauffe, ce qui peut causer des dommages permanents. Les dommages causés par un courant descendant ne sont pas couverts par la garantie de l'appareil. Ne laissez JAMAIS quoi que ce soit obstruer le conduit de fumée de combustible ou la ventilation sortant du conduit de fumée de la friteuse. Ne placez RIEN sur le dessus de conduit de fumée.

CONNEXIONS ÉLECTRIQUES

▲ AVERTISSEMENT Directives de mise à la terre :

Cet appareil est muni d'une fiche à trois broches de mise à la terre vous procurant une protection contre les électrocutions et devant être branchée à une prise murale tripolaire dûment mise à la terre. Vous ne devez en aucun cas couper ou enlever la broche de mise à la terre de la fiche. La friteuse doit être mise à la terre conformément aux codes locaux ou, en l'absence de tels codes, au Code national de l'électricité, à la norme ANSI/NFPA 70, ou la norme CSA C22.2 du Code canadien de l'électricité, suivant le cas.

Le schéma électrique est situé sur le panneau intérieur de la porte.

RACCORDEMENT AU GAZ

AVIS Toutes les connexions d'alimentation en gaz et tout raccord de tuyau doivent être résistants à l'action du gaz propane.

L'entrée de gaz se trouve au bas de la face arrière de la friteuse. Les codes exigent qu'un robinet d'arrêt soit installé dans la conduite de gaz à l'avant de la friteuse.

La conduite d'alimentation en gaz doit être au moins l'équivalent d'un tuyau en fer de ½ po (12,7 mm) pour les appareils simples et de 1 à 1/4 po (31,75 mm) pour les batteries. Si vous utilisez le flexible à débranchement rapide (en option), il doit être l'équivalent d'un tuyau de fer de ¾ po (19 mm) pour les appareils simples et de 1 à 1/4 po (31,75 cm) pour les batteries.

Assurez-vous que les tuyaux sont propres et libres de toute obstruction, saleté ou pâte à joint. Une batterie de réservoirs nécessite une ou deux connexions de taille correspondant à l'exigence du gaz.

⚠ AVERTISSEMENT Avant l'allumage, vérifiez tous les raccords de la conduite d'alimentation de gaz pour vous assurer qu'il n'y a pas de fuite. Utilisez une solution de savon et d'eau. N'utilisez pas une flamme nue.

Après avoir vérifié l'absence de fuites dans la tuyauterie, purgez entièrement les tuyaux de gaz afin de supprimer l'air.

PRESSIONS DE GAZ (TOUS LES MODÈLES) :

Le volume de gaz mesuré à la sortie du robinet doit être réglé à 4 po CE (Colonne d'eau) ou 0,8 kPa pour le gaz naturel et à 10 po CE (2,75 kPa) pour le gaz propane. La pression d'arrivée doit se situer entre 7 et 9 CE pour le gaz naturel et entre 11 et 12 po CE pour le gaz propane. Si la pression d'arrivée est plus forte que 14 po CE ($\frac{1}{2}$ psi ou 3,45 kPa), il faut installer un régulateur abaisseur de pression.

TEST DES CONDUITES D'ALIMENTATION DE GAZ :

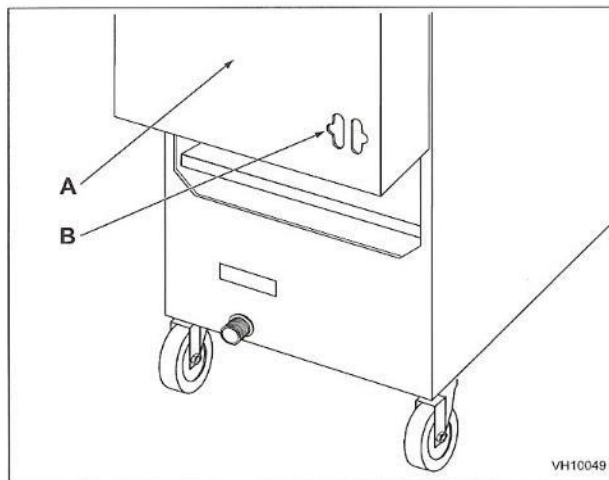
Lorsque la pression d'épreuve excède $\frac{1}{2}$ psig (3,45 kPa), la friteuse et son robinet d'arrêt individuel doivent être débranchés du système de conduite d'alimentation de gaz.

Lorsque la pression d'essai est de $\frac{1}{2}$ psig (3,45 kPa) ou moins, la friteuse doit être isolée du système d'alimentation de gaz en fermant le robinet d'arrêt manuel individuel.

Friteuses avec roulettes :

Des instructions distinctes pour l'installation des roulettes sont incluses avec les roulettes :

- ◆ L'installation doit être effectuée au moyen d'un raccord conforme à la norme Connectors for Movable Gas Appliances, ANSI Z21.69, CAN/CGA-6.16, et d'un dispositif de déconnexion rapide conforme à la norme Quick-Disconnect Devices for Use with Gas Fuel, ANSI z21.41.CSA 6.9 ou Quick-Disconnect Devices for Use with Gas Fuel.
- ◆ Lors de l'installation d'un raccord rapide, vous devez également installer un dispositif pour limiter le mouvement de la friteuse. Ce dispositif permettra d'éviter l'imposition d'une force excessive sur la conduite de gaz ou sur le dispositif à débranchement rapide. Le dispositif de retenue doit être fixé à la découpe du panneau arrière. Consultez l'illustration pour l'emplacement.



- A Arrière de la friteuse
- B Connexion de la chaîne du détendeur
(chaîne fournie par d'autres)

- ◆ La friteuse doit être installée à l'aide d'un connecteur (non fourni par Vulcan) conforme aux codes ci-dessus.
- ◆ La friteuse doit être installée avec un moyen de retenue afin d'éviter une transmission de tension vers le connecteur. Consultez l'illustration.
- ◆ La friteuse doit être installée avec les roulettes fournies.
- ◆ Si le dispositif de retenue doit être déconnecté, fermez d'abord l'alimentation en gaz. Si la déconnexion du dispositif de retenue est nécessaire, rebranchez ce dispositif de retenue après que la friteuse a été remise à sa position initiale.

MISE À NIVEAU DE LA FRITEUSE

Vérifiez le niveau de la friteuse en plaçant un niveau sur le dessus de la friteuse une fois que le raccordement du gaz a été fait.

Veillez à ce que la friteuse soit de niveau de l'avant à l'arrière et d'un côté à l'autre dans la position d'installation finale.

Si des roulettes sont utilisées, verrouillez les roues une fois que l'appareil est à niveau.

UTILISATION

⚠ AVERTISSEMENT L'huile et les pièces chaudes peuvent causer des brûlures. Soyez prudent lors de l'utilisation, du nettoyage et de l'entretien de la friteuse.

⚠ AVERTISSEMENT Le déversement de composé de friture chaude peut causer de graves brûlures. Ne déplacez pas la friteuse sans vidanger tous les composés de friture de la cuve.

⚠ AVERTISSEMENT La friteuse ne doit pas être utilisée lors d'une coupure de courant.

CAPACITÉS DE LA FRITEUSE (PAR CUVE DE FRITURE)				
MODÈLE	NOMBRE DE BRÛLEURS	BTU/H	LARGEUR EN POUCES (CM)	GRAISSE ALIMENTAIRE EN LIVRES (KG)
VHG50	4	80 000	13 – 1/2(34,3)	45 – 50(20,4 – 22,7)
VHG75	6	110 000	18(45,7)	70(31,8)

ARRÊT EN CAS DE SURCHAUFFE

Si la graisse alimentaire devient surchauffée, un dispositif d'arrêt en cas de haute température ferme la soupape à gaz. Le dispositif d'arrêt se réinitialisera automatiquement une fois la graisse alimentaire refroidie.

Si la friteuse s'arrête en raison d'une surchauffe, NE la rallumez PAS avant que la température de la graisse alimentaire soit en dessous de 300 °F (149 °C).

Si le problème de surchauffe persiste, contactez votre centre de service Vulcan autorisé.

AVANT LA PREMIÈRE UTILISATION

Nettoyage

Les appareils neufs sont essuyés à l'usine pour retirer tout signe visible de saleté, d'huile, de graisse, etc. restant du procédé de fabrication.

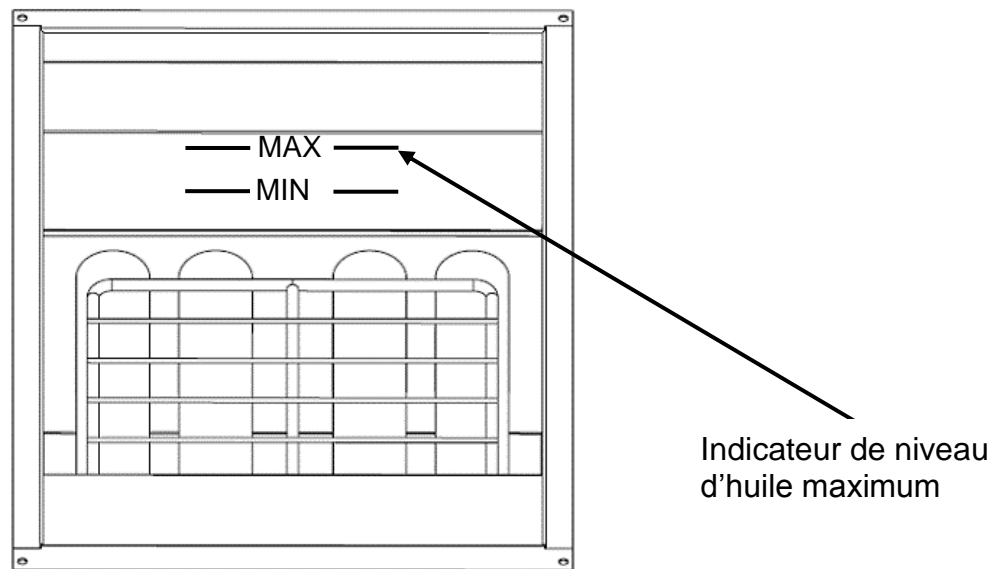
Avant toute préparation de nourriture, lavez soigneusement l'huile protectrice de la surface de toutes les pièces et l'intérieur de la cuve avec de l'eau chaude savonneuse pour retirer tout résidu du film et la poussière ou les débris.

AVIS N'utilisez pas d'agent nettoyant à base de chlore ou de sulfate/sulfure.

- ◆ Lavez tous les accessoires livrés avec l'appareil.
- Rincez soigneusement la friteuse et les accessoires et vidangez la friteuse.
- ◆ Essuyez la cuve complètement avec un linge doux.
- ◆ Fermez le robinet de vidange.
- ◆ Remplissez la cuve de la friteuse de graisse alimentaire liquide.

REPLISSAGE DE LA CUVE DE FRITURE AVEC DE LA GRAISSE ALIMENTAIRE

AVIS La cuve de friture doit être remplie d'huile de friture ou d'eau avant l'allumage des brûleurs. L'allumage des brûleurs lorsque la cuve de friture est vide peut endommager cette dernière et annulera votre garantie.



- Fermez le robinet de vidange.
- Remplissez la cuve de la friteuse d'huile de friture ou de graisse alimentaire.
- Le niveau d'huile doit se situer entre les lignes MIN et MAX de la cuve de la friteuse.
- L'huile prend de l'expansion lorsqu'elle est chauffée. Ne remplissez pas la cuve de la friteuse au-dessus de la ligne MAX.
- Ajoutez de la nouvelle graisse alimentaire ou de l'huile de friture au besoin pour maintenir le niveau d'huile.

AVIS Si vous utilisez de la graisse alimentaire solide, assurez-vous qu'elle est placée bien étroitement dans la cuve pour éviter les poches d'air. Les poches d'air peuvent provoquer des points d'allumage et endommager la cuve de friture.

DIRECTIVES DE FRITURE DE BASE

Réglez la température souhaitée et laissez chauffer la graisse alimentaire à cette température.

- Faites frire des éléments qui sont de la même taille afin d'assurer une cuisson égale.
- Égouttez ou essuyez les aliments crus ou humides pour minimiser les éclaboussures lorsque les aliments sont abaissés dans la graisse alimentaire chaude.
- Ajoutez de la nouvelle graisse alimentaire au besoin.

Directives d'utilisation du panier à friture

- Ne remplissez pas trop les paniers. (Voir le tableau ci-dessous au sujet des capacités recommandées pour les paniers.) Déposez soigneusement le panier dans l'huile.
- Lors de la friture de beignes et de beignets, retournez le produit une seule fois pendant la cuisson.
- Lors de la cuisson de frites ou de rondelles d'oignons, secouez le panier plusieurs fois.
- Les aliments enrobés de pâte doivent être déposés avec précaution, un par un, dans la graisse ou le panier. Si vous utilisez le panier, trempez d'abord le panier dans la graisse pour réduire l'accumulation de pâte sur les surfaces du panier.
- Lorsque la friture est terminée, retirez le panier ou le produit. Accrochez le panier au support arrière.

Capacité du panier à friture :

VHG50 : Nombre de livres recommandées par panier : 2,5 lb (1,1 kg).

VHG75 : Nombre de livres recommandées par panier : 3,5 lb (1,6 kg).

PROLONGATION DE LA DURÉE DE VIE DE LA GRAISSE ALIMENTAIRE

La durée de vie de la graisse alimentaire peut être prolongée en respectant les directives suivantes :

- ♦ Ne salez pas les aliments au-dessus de la friteuse.
- ♦ Utilisez une graisse alimentaire de bonne qualité.
- ♦ Filtrez la graisse alimentaire quotidiennement (au minimum).
- ♦ Remplacez la graisse alimentaire si son odeur devient mauvaise.

- ◆ Maintenez la propreté de l'appareil et de son environnement. Placez les couvercles sur les cuves lorsqu'elles ne sont pas utilisées (accessoire).
- ◆ Réglez le thermostat correctement.
- ◆ Retirez l'excès d'humidité et les particules des produits alimentaires avant de les mettre dans la friteuse.

ALLUMAGE DE LA FRITEUSE

⚠ AVERTISSEMENT Pour empêcher tout risque que la graisse alimentaire prenne feu lors de la mise en marche, le mode de fusion de la graisse doit être réglé sur « solide » lors de l'utilisation de graisse solide.

AVIS La cuve de friture doit être remplie d'huile de friture ou d'eau avant l'allumage des brûleurs. L'allumage des brûleurs lorsque la cuve de friture est vide peut endommager cette dernière et annulera votre garantie. Ne contournez pas le test à vide tant que le niveau approprié d'huile ou d'eau n'est pas confirmé.

Attendez 5 minutes avec l'interrupteur d'alimentation en position « OFF » avant de démarrer, afin de laisser s'échapper le gaz qui a pu s'accumuler dans le compartiment du brûleur.



1. Ouvrez la porte inférieure de la friteuse et mettez l'interrupteur d'alimentation en position ON.

Le régulateur s'allumera, affichera le point de consigne actuel de la température dans la fenêtre d'affichage et commencera le test à vide.

Le voyant START clignote pendant le test à vide.



2. Le test à vide peut être contourné en confirmant visuellement le niveau d'huile, puis en appuyant sur le bouton START.

Définissez la température de cuisson souhaitée en tournant le bouton dans un sens ou dans l'autre. L'afficheur clignote pendant que vous effectuez les modifications.



3. Si le test à vide échoue, Vat FULL? PrESS STArT défile sur la fenêtre de l'afficheur numérique.



Confirmez que la cuve de friture est remplie d'huile. Appuyez sur le bouton START pour démarrer le chauffage et le cycle de fusion.



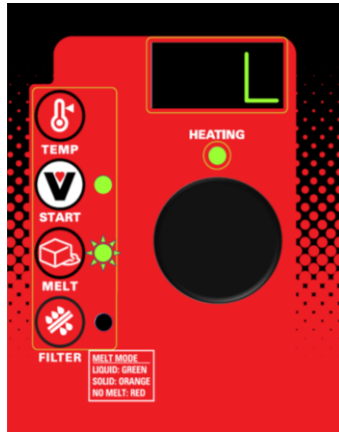
4. Appuyez et maintenez enfoncé le bouton TEMP pendant 3 secondes pour modifier les réglages du test à vide. dF s'affichera sur la fenêtre. Tournez le bouton vers la gauche ou la droite pour activer ou désactiver l'option de test à vide.

Appuyez sur le bouton START pour enregistrer la sélection.

FRITEUSES À GAZ SÉRIE VHG

AVIS

La fonction de test à vide est une fonctionnalité importante qui a pour but d'empêcher les brûleurs de la friteuse de s'allumer sans aucun liquide dans la cuve de friture. Il est recommandé de garder la position marche. L'allumage des brûleurs lorsque la cuve de friture est vide peut endommager cette dernière et annulera votre garantie.



5. Appuyez sur le bouton MELT pour faire défiler jusqu'au paramètre qui correspond au type de graisse alimentaire utilisé.

VERT – Mode de fusion liquide – La fenêtre affiche L lorsque le bouton MELT est enfoncé.

ORANGE – Mode de fusion solide – La fenêtre affiche S lorsque le bouton MELT est enfoncé.

ROUGE – Pas de mode de fusion – La fenêtre affiche NO lorsque le bouton MELT est enfoncé.

Le voyant MELT clignote et la friteuse chauffe par intervalles jusqu'à ce que la température de la cuve dépasse 135 °F.



6. Dès que la température dépasse 135 °F (ou si celle-ci est définie sur NO MELT), la friteuse chauffe de manière continue jusqu'à ce que le point de consigne du contrôleur soit atteint.

Le voyant MELT reste allumé en continu.

Le voyant HEATING s'éteint lorsque le point de consigne est atteint.



7. La fenêtre de l'afficheur indique toujours le point de consigne de température actuel.

Appuyez sur le bouton TEMP pour afficher la température réelle pendant 3 secondes.

MISE HORS TENSION DE LA FRITEUSE

1. Ouvrez la porte de la friteuse et mettez l'interrupteur d'alimentation en position « OFF ».

⚠ AVERTISSEMENT Le déversement de composé de friture chaude peut causer de graves brûlures. Ne déplacez pas la friteuse sans vidanger tous les composés de friture de la cuve.

VIDANGE DE LA CUVE

Modèles autostables sans système de filtre uniquement :

1. Éteignez la friteuse.
2. Insérez la rallonge de vidange dans le robinet de vidange. Serrez à la main.
3. Dirigez le bec de vidange dans le récipient dans lequel vous voulez vidanger la graisse.

4. Ouvrez le robinet de vidange. L'huile s'écoulera dans le récipient. Lorsque le récipient est plein ou lorsque la cuve de la friteuse est vide, fermez le robinet de vidange. Répétez cette étape jusqu'à ce que la friteuse soit vide. Enlevez la rallonge de vidange et remettez-la en place sur le support fourni.
5. Il est recommandé d'ébouillanter maintenant la cuve de friture. Suivez la procédure d'ébouillantage. Effectuez ensuite le nettoyage hebdomadaire tel que décrit sous la rubrique NETTOYAGE.
6. Une fois la cuve complètement vide, dégraissée et nettoyée, ajoutez du nouveau corps gras. Suivez la procédure REMPLISSAGE DU RÉSERVOIR AVEC DE LA GRAISSE ALIMENTAIRE de ce manuel.
7. Allumez l'interrupteur d'alimentation sur la position marche et suivez la procédure de mise en route pour le type de contrôle pour commencer à amener l'huile à la température voulue.

PROCÉDURE D'ÉBOUILLANTAGE

Chaque semaine ou lorsque l'huile est remplacée :

Modèles autostables sans système de filtre uniquement :

1. Vidangez la cuve comme décrit sous VIDANGE DE L'HUILE.
2. Fermez le robinet de vidange et remplissez la cuve d'eau. Utilisez un agent dégraissant solide que vous pouvez commander auprès de votre détaillant local. Suivez les instructions figurant sur le côté de l'emballage.

AVIS N'utilisez pas d'agent nettoyant à base de chlore ou de sulfate/sulfure.

3. Le niveau de la solution doit se situer entre les lignes MIN et MAX à l'arrière de la cuve de la friteuse.
4. Tournez l'interrupteur d'alimentation sur la position marche, suivez la procédure de mise en route pour le type de contrôle. À l'aide du bouton de commandes à semi-conducteurs (A), réglez le point de consigne de température sur 195 °F (90,5 °C). L'eau bout à 212 °F (100 °C). Ne portez pas l'eau à ébullition. La friteuse pourrait déborder.
5. Utilisez la brosse à cuve; nettoyez les côtés, le fond et les tubes de l'échangeur de chaleur.
6. Placez la rallonge de vidange dans la soupape de vidange et serrez à la main uniquement. Vidangez la solution de nettoyage de la cuve dans un récipient.
7. Fermez le robinet de vidange et remplissez de nouveau la cuve d'eau. Ajoutez 1 tasse (1/4 L) de vinaigre pour neutraliser tout alcali laissé par le nettoyant. Le niveau de la solution doit se situer entre les lignes MIN et MAX à l'arrière de la cuve de la friteuse. Appuyez sur le bouton START pour les modèles (A) pour chauffer la solution. Laissez la solution reposer quelques minutes.

8. Vidangez la cuve comme décrit sous VIDANGE DE LA CUVE. Rincez minutieusement à l'eau claire et chaude. Toute trace de nettoyeur doit être enlevée. Séchez soigneusement la cuve.
9. Fermez le robinet de vidange et ajoutez la graisse alimentaire. Suivez la procédure REMPLISSAGE DU RÉSERVOIR AVEC DE LA GRAISSE ALIMENTAIRE de ce manuel.
10. La friteuse est désormais prête à être utilisée. Allumez l'interrupteur d'alimentation sur la position marche et suivez la procédure de mise en route pour le type de contrôle pour commencer à amener l'huile à la température voulue.

NETTOYAGE

⚠ AVERTISSEMENT L'huile et les pièces chaudes peuvent causer des brûlures. Faites très attention lors que vous utilisez, nettoyez et entretenez la friteuse.

Quotidien

Nettoyez votre friteuse régulièrement avec la brosse à cuve ainsi qu'avec un chiffon humide, et polissez avec un chiffon sec et doux. Si le nettoyage régulier est négligé, la graisse brûlée s'incrusterait et une décoloration peut apparaître.

Les empreintes digitales peuvent parfois poser problème sur les surfaces très polies en acier inoxydable. Elles peuvent être minimisées en appliquant un nettoyeur qui laissera un mince film huileux ou cireux.

- ◆ Nettoyez toutes les surfaces extérieures de la friteuse au moins une fois par jour.
- ◆ Utilisez un chiffon humidifié avec de l'eau tiède et un savon ou un détergent doux.

AVIS N'utilisez pas d'agent nettoyeur à base de chlore ou de sulfate/sulfure.

- ◆ Rincez soigneusement et séchez avec un chiffon sec et doux.
- ◆ Gardez l'extérieur de la friteuse propre et exempt de graisse accumulée pour éviter la formation de taches tenaces. Si le nettoyage régulier est négligé, la graisse brûlée s'incrusterait et une décoloration peut apparaître.
- ◆ Enlevez toute décoloration par un lavage avec de l'eau et du détergent ou du savon.
- ◆ Utilisez un tampon à récurer automoussant non métallique pour les décolorations particulièrement tenaces.
- ◆ Frottez toujours dans le sens du grain de l'acier inoxydable.
- ◆ N'utilisez pas de tampon à récurer métallique ou des nettoyeurs abrasifs.

ARRÊT PROLONGÉ

1. Vidangez complètement la friteuse. Consultez la section VIDANGE DE LA FRITEUSE.
2. Nettoyez la friteuse comme indiqué dans la section NETTOYAGE.

3. Appuyez sur l'interrupteur d'alimentation pour le mettre à la position d'arrêt.
4. Fermez le robinet d'arrêt de gaz principal.

SYSTÈME DE FILTRATION KLEENSCREEN PLUSMD

Généralités

Le système de filtration KleenScreen *PLUSMD* filtre l'huile lorsqu'elle est réacheminée dans sa cuve respective. Une seule cuve peut être vidangée et filtrée à la fois. Il ne faut en aucun cas vidanger les deux cuves en même temps.

Montage

- Après le déballage, lavez le porte-filtre, la crépine-panier, le tube d'aspiration et l'ensemble écran-filtre. Assurez-vous de retirer la cartouche filtrante située à l'intérieur de l'écran-filtre. Utilisez un détergent pour lave-vaisselle et de l'eau chaude (les pièces sont lavables au lave-vaisselle). Rincez complètement le porte-filtre, la crépine-panier et les composants de l'écran-filtre et essuyez toutes les pièces avec un chiffon propre.
- Tirez complètement le porte-filtre et retirez-le pour le nettoyer.
- Les tiroirs du porte-filtre peuvent être retirés pour être lavés en repoussant les tiroirs dans la friteuse. Ensuite, faites tourner le bas du tiroir vers le centre de la friteuse et soulevez-le. Effectuez la procédure inverse pour réinstaller.
- Repositionnez le porte-filtre dans le tiroir. Positionnez l'ensemble écran-filtre dans le collier du tube d'aspiration dans le porte-filtre en positionnant l'ensemble écran-filtre à plat au fond du porte-filtre.
- Alignez avec soin la buse du tube d'aspiration pour l'accoupler avec le bloc-prise d'huile fixé au châssis de la batterie de friteuses. Fermez le tiroir du porte-filtre. Voir les Figures 1, 2 3 et 4.

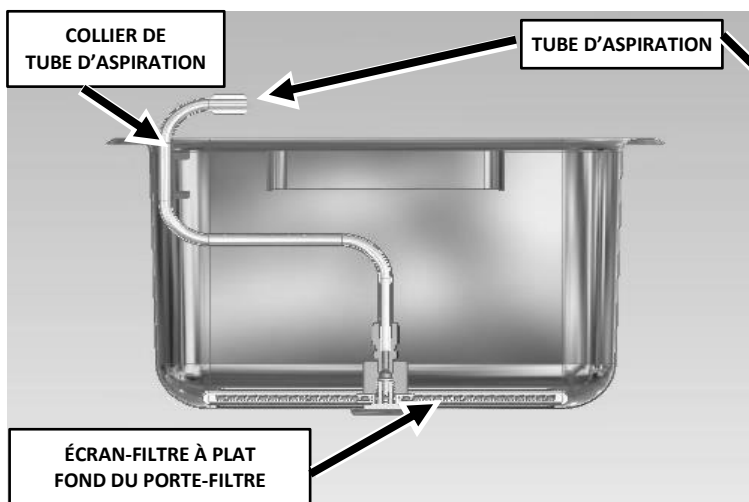
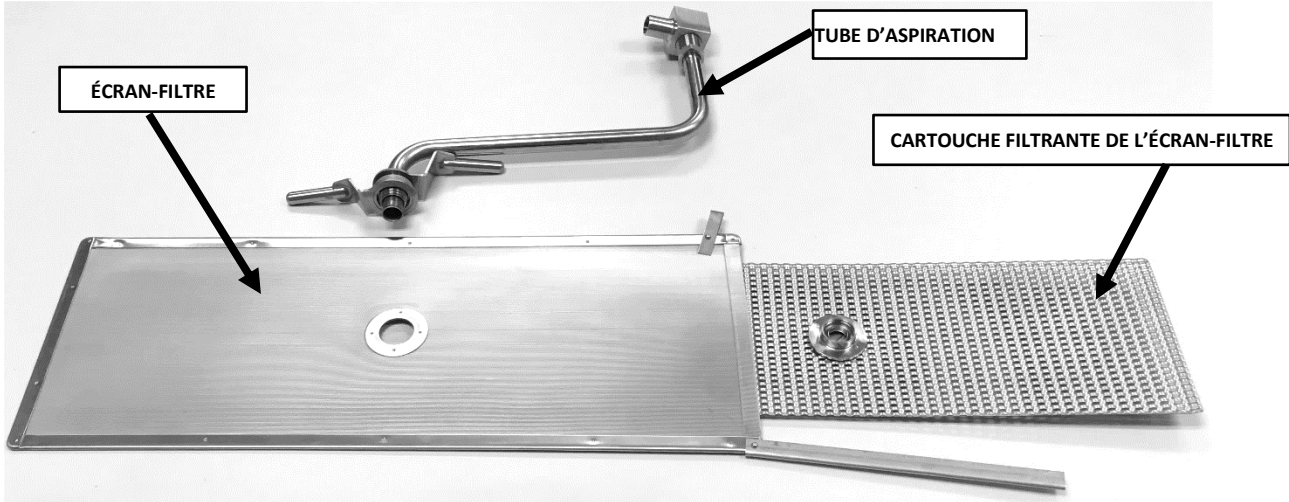


Fig. 1

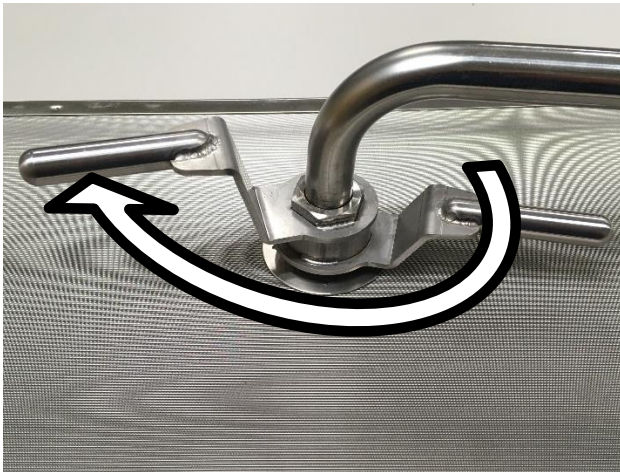


Fig. 2

Ensemble écran-filtre à mailles fines en acier



1. Insérez la cartouche filtrante dans l'écran-filtre et alignez les trous centraux. Fermez le verrou d'extrémité pour fixer le tout.



2. Insérer le tube d'aspiration dans l'orifice de l'écran-filtre. Alignez les filetages de la poignée supérieure avec les filetages de l'écran-filtre. Tournez doucement dans le sens des aiguilles d'une montre jusqu'à ce que le tout soit serré.

NOTICE N'utilisez pas d'outils. Serrez à la main uniquement.



3. Tournez doucement la poignée inférieure dans le sens des aiguilles d'une montre jusqu'à ce que le tout soit serré.

NOTICE n'utilisez pas d'outils.
Serrez à la main uniquement.

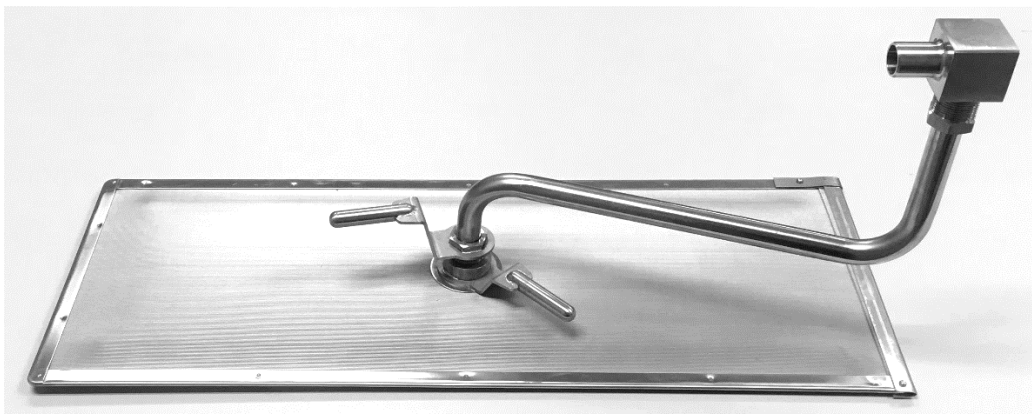


Fig. 3

Retirez l'ensemble à mailles fines en acier du porte-filtre et nettoyez-le tous les jours (ou plus fréquemment selon votre utilisation). Démontez l'ensemble écran-filtre en inversant les étapes 1 à 3 et en retirant la cartouche filtrante située à l'intérieur de l'écran-filtre. Ne démontez pas le tube d'aspiration. Utilisez un détergent pour lave-vaisselle et de l'eau chaude (les pièces sont lavables au lave-vaisselle).

Montage de l'enveloppe en tissu de microfiltration

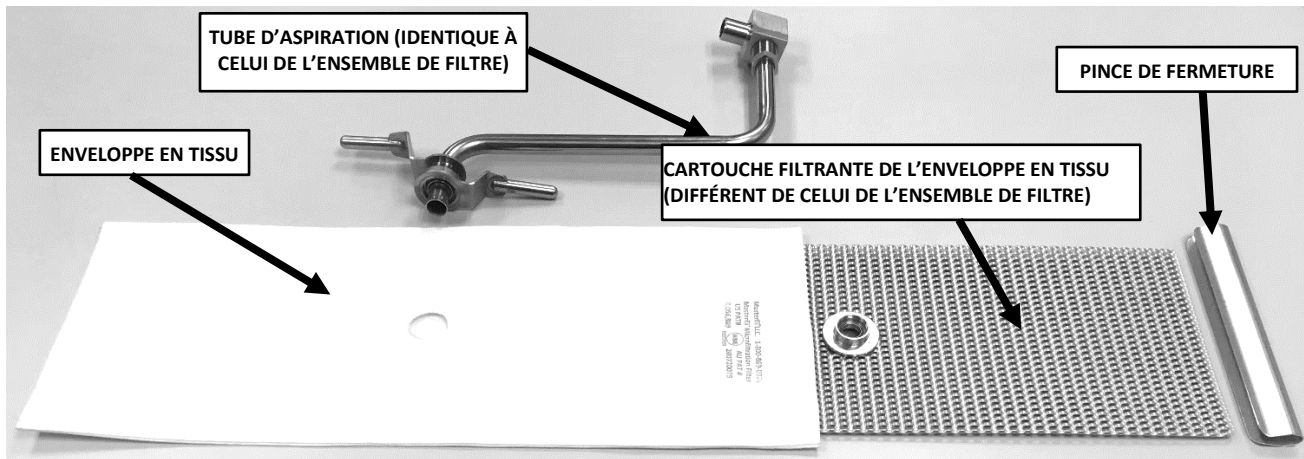


Fig. 4

Insérez la cartouche filtrante dans l'enveloppe et alignez les trous centraux. Rabattez l'extrémité ouverte de l'enveloppe et placez la pince de fermeture par-dessus. Placez la charnière et appuyez fermement tout le long pour bien fixer et sceller l'ensemble de filtre. Assurez-vous que l'extrémité pliée de l'enveloppe est face vers le bas.

Fixez le tube d'aspiration de la même façon que l'ensemble de filtre tel que décrit à la page précédente.

Démontez l'ensemble de l'enveloppe en tissu en inversant les étapes.

AVIS N'utilisez pas d'outils. Serrez à la main uniquement.

Retirez l'ensemble de l'enveloppe en tissu du porte-filtre et nettoyez-le tous les jours (ou plus fréquemment selon votre utilisation). Grattez les débris et les boues des surfaces de l'enveloppe à l'aide d'une spatule.

AVIS Ne lavez pas l'enveloppe en tissu.

INSTRUCTIONS POUR LE RETRAIT ET LE REMPLACEMENT DE L'ENVELOPPE DU FILTRE KLEENSCREEN PLUSMD

POUR UNE FILTRATION ABSOLUE ET UN DÉBIT MAXIMUM, NOUS VOUS RECOMMANDONS DE CHANGER LES ENVELOPPES DE FILTRE À CHAQUE VIDANGE D'HUILE (10 À 14 JOURS SELON L'UTILISATION DE L'HUILE).



⚠ AVERTISSEMENT L'huile et les pièces chaudes peuvent causer des brûlures. Faites très attention lors que vous utilisez, nettoyez et entretenez la friteuse.

Étape 1

Jetez toute l'huile du réservoir de filtre. Lorsque le porte-filtre est vide, utilisez une spatule et grattez tous les débris laissés sur l'enveloppe du filtre et dans le porte-filtre.



Étape 2

Dévissez le tube d'aspiration du filtre en tournant le raccord de la poignée inférieure dans le sens contraire des aiguilles d'une montre. Ensuite, vissez le raccord de la poignée inférieure dans le sens contraire des aiguilles d'une montre jusqu'à ce qu'il soit complètement desserré.

Étape 3

Enlevez la pince de fermeture.



Étape 4

Enlevez la cartouche filtrante de l'enveloppe et lavez-la à l'eau chaude puis séchez-la complètement. La cartouche filtrante de l'écran-filtre est lavable au lave-vaisselle. Placez la cartouche filtrante dans une nouvelle enveloppe de filtre KleenScreen PLUSMD.

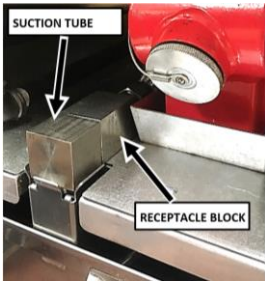
AVIS Ne lavez pas l'enveloppe en tissu.

Étape 5

Faites glisser la cartouche filtrante de l'enveloppe. Insérez-la dans l'enveloppe en tissu en veillant à aligner les trous. Rabattez l'extrémité ouverte de l'enveloppe et placez la pince de fermeture par-dessus. Placez la charnière et appuyez fermement tout le long pour bien fixer et sceller l'ensemble de filtre. Assurez-vous que l'extrémité pliée de l'enveloppe soit vers le bas. Fixez l'ensemble du tube d'aspiration en commençant par serrer le raccord de la poignée supérieure puis en serrant le raccord de la poignée inférieure.

AVIS N'utilisez pas d'outils. Serrez à la main uniquement.





Étape 6

Positionnez l'ensemble écran-filtre dans le collier du tube d'aspiration dans le porte-filtre en positionnant l'ensemble écran-filtre à plat au fond du porte-filtre. Alignez le tube de sorte que l'extrémité du tube s'engage dans le raccord du récipient d'huile chaque fois que le tiroir est ouvert et fermé.

PROCÉDURE DE FILTRAGE – Modèles KleenScreen PLUSMD UNIQUEMENT

⚠ AVERTISSEMENT L'huile et les pièces chaudes peuvent causer des brûlures. Faites très attention lors que vous utilisez, nettoyez et entretenez la friteuse.

⚠ AVERTISSEMENT Le déversement de composé de friture chaude peut causer de graves brûlures. Ne déplacez pas la friteuse sans vidanger tous les composés de friture de la cuve.

AVIS Ne jamais faire couler de l'eau ou une solution d'ébouillantage à travers le filtre et la pompe-moteur. Cette action annulera la garantie de la friteuse.

AVIS Filtrez UNE SEULE cuve de friture à la fois pour éviter les débordements et les déversements.

AVIS N'éteignez pas la friteuse. Laissez-la allumée.

Filtrage avec le bouton de commande à semi-conducteurs

⚠ AVERTISSEMENT L'huile et les pièces chaudes peuvent causer des brûlures. Faites très attention lors que vous utilisez, nettoyez et entretenez la friteuse. Ne laissez pas la friteuse sans surveillance.

⚠ AVERTISSEMENT Le déversement de composé de friture chaude peut causer de graves brûlures. Ne déplacez pas la friteuse sans vidanger tous les composés de friture de la cuve.

AVIS Ne jamais faire couler de l'eau ou une solution d'ébouillantage à travers le filtre et la pompe-moteur. Cette action annulera la garantie de la friteuse.

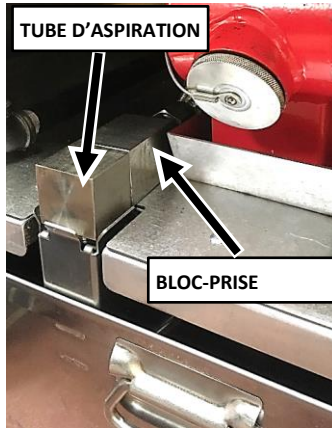
AVIS N'éteignez pas la friteuse. Laissez-la allumée.

AVIS Filtrez UNE SEULE cuve de friture à la fois pour éviter les débordements et les déversements.

FRITEUSES À GAZ SÉRIE VHG



1. N'éteignez pas la friteuse. Laissez-la allumée. Vulcan recommande l'ajout d'un médium de traitement d'huile à l'huile avant le filtrage. Filtrez toujours la graisse lorsque sa température se situe entre 300 °F et 350 °F.



2. Assurez-vous que le tiroir du filtre est complètement fermé et que le tube d'aspiration et le bloc-prise sont à la position appropriée.



3. Ouvrez lentement le robinet de vidange pour que l'huile puisse s'écouler de la cuve de friture jusqu'au porte-filtre. Puis ouvrez complètement le robinet de vidange. La friteuse s'arrête automatiquement de chauffer.



4. La mention *drn* s'affiche à l'écran. Lorsque la cuve de friture est vide, mettez la pompe-filtre en marche en appuyant sur l'icône du filtre en la maintenant enfoncée pendant 3 à 4 secondes. Laissez la pompe filtrer l'huile pendant quelques minutes AVANT de refermer le robinet de vidange.



5. Fermez le robinet de vidange. *FILL VAT-PRESS FILTER* défile à l'écran. Remplissez la cuve de nouvelle graisse alimentaire. Remplissez jusqu'au niveau se trouvant entre les lignes MIN et MAX à l'arrière de la cuve de la friteuse. L'huile augmente de volume lorsqu'elle est chauffée. Ne remplissez pas la cuve de la friteuse au-dessus de la ligne MAX.



6. Appuyez de nouveau sur le bouton d'icône du filtre pour arrêter la pompe-filtre. *VAT FULL?-PRESS START* défile à l'écran. Appuyez sur le bouton START(V). La friteuse commence à chauffer l'huile au point de consigne de température souhaité.

VIDANGE/RINÇAGE ET MISE AU REBUT DE L'HUILE

1. Suivez les instructions de filtrage du point 1 au point 3, mais ne mettez pas de médium de traitement d'huile dans la friteuse. Videz l'huile de la friteuse dans le porte-filtre.
2. Fixez le tuyau souple à déconnexion rapide au raccord rapide mâle du tuyau de vidange.
3. Pour éliminer l'huile, placez le bec du tuyau souple de vidange dans un récipient suffisamment grand pour contenir la graisse alimentaire éliminée. Mettez l'interrupteur de filtre situé derrière la porte à la position « USE HOSE TO DISCARD ONLY ». Cela fera en sorte que l'huile soit pompée uniquement par le tuyau souple.
4. Pour vidanger/rincer la cuve avec de l'huile filtrée afin d'éliminer les particules accumulées, appuyez sur l'interrupteur de filtre situé derrière la porte à la position « USE HOSE TO RINSE AND FILL ». Cela fera en sorte que l'huile soit acheminée dans le tuyau flexible tout en étant admise par l'arrière de la cuve.

⚠ AVERTISSEMENT L'huile sortira immédiatement par l'extrémité de buse du tuyau chaque fois que le tuyau est branché et que la pompe-filtre est engagée.



5. Alors que l'interrupteur d'alimentation est en position marche, appuyez sur le bouton de filtre et maintenez-le enfoncé pendant au moins 3-4 secondes. La pompe-moteur commencera à fonctionner.
6. Une fois toute l'huile a été éliminée et que le porte-filtre est vide, appuyez sur le bouton de filtre pour désactiver la pompe-moteur.

⚠ AVERTISSEMENT Le raccord du tuyau est chaud en raison de la température de l'huile éliminée et peut provoquer des brûlures.

7. Débranchez le tuyau de mise au rebut. Veillez à laisser le tuyau se vider avant de le ranger. Fermez le robinet de vidange et remplissez la cuve de friture avec de l'huile neuve.

AVIS Si le réservoir de mise au rebut n'est pas assez grand pour contenir la totalité de la graisse alimentaire, arrêtez le flux en appuyant sur le bouton de filtre pour mettre la pompe-moteur hors tension. Videz le conteneur et reprenez l'opération de mise au rebut en maintenant le bouton de filtre appuyé pendant 3 à 4 secondes.

AVIS Si l'alimentation est éteinte par erreur lors de l'opération de filtrage, veuillez effectuer les mesures correctives suivantes.

1. Fermez le robinet de vidange
2. Activez l'interrupteur d'alimentation
3. Appuyez sur le bouton START
4. Ouvrez immédiatement le robinet de vidange
5. Poursuivez l'opération de filtrage

CONSEIL POUR LE FILTRAGE :

Ouvrez le tiroir de filtrage d'environ 1 po pour permettre à toute l'huile dans la conduite de retour de s'écouler dans le porte-filtre. Cela devrait prendre environ 30 secondes. Puis ouvrez complètement le tiroir pour nettoyer les composants du filtre.

RETRAIT DE L'EXCÉDENT DE DÉBRIS DU FILTRE :

⚠ AVERTISSEMENT L'huile et les pièces chaudes peuvent causer des brûlures.

AVIS Ne jamais faire couler de l'eau ou une solution d'ébouillantage à travers le filtre et la pompe-moteur. Cette action annulera la garantie de votre friteuse.

AVIS Filtrez UNE SEULE cuve de friture à la fois pour éviter les débordements et les déversements.

CONSEIL POUR LE FILTRAGE :

Ouvrez le tiroir de filtrage d'environ 1 po pour permettre à toute l'huile dans la conduite de retour de s'écouler dans le porte-filtre. Cette opération peut prendre environ 30 secondes. Puis ouvrez complètement le tiroir pour nettoyer les composants du filtre.

1. Retirez le tiroir du filtre.
2. Retirez l'ensemble écran-filtre. Grattez les débris de l'écran-filtre. Ensuite, enlevez la cartouche filtrante en déverrouillant le loquet. Nettoyez soigneusement toutes les pièces comme indiqué dans la section Montage de la page 16.
3. Grattez les débris de la partie inférieure du porte-filtre et jetez-les à la poubelle. Nettoyez soigneusement toutes les pièces comme indiqué dans la section Montage de la page 16.
4. Remontez tous les composants du filtre après les avoir soigneusement séchés comme indiqué dans la section Montage de la page 16.

PROCÉDURE D'ÉBOUILLANTAGE :

▲ AVERTISSEMENT L'huile et les pièces chaudes peuvent causer des brûlures.

AVIS Ne jamais faire couler de l'eau ou une solution d'ébouillantage à travers le filtre et la pompe-moteur. Cette action annulera la garantie de la friteuse.

1. Éliminez l'huile comme décrit dans la section VIDANGE/RINÇAGE ET MISE AU REBUT DE L'HUILE.
2. Fermez le robinet de vidange et remplissez la cuve d'eau. Utilisez un agent dégraissant solide que vous pouvez commander auprès de votre détaillant local. Suivez les instructions figurant sur le côté de l'emballage.

AVIS N'utilisez pas d'agent nettoyant à base de chlore ou de sulfate/sulfure.

3. Le niveau de la solution doit se situer entre les lignes MIN et MAX de la cuve de la friteuse.
4. Tournez l'interrupteur d'alimentation sur la position marche. En utilisant le bouton de commande à semi-conducteurs (A), réglez le point de consigne de température sur 195 °F (90,5 °C). Appuyez sur le bouton START. L'eau bout à 212 °F (100 °C).

Ne portez pas l'eau à ébullition. La friteuse pourrait déborder.

5. Utilisez la brosse à cuve; nettoyez les côtés, le fond et les tubes de l'échangeur de chaleur.

6. Retirez le bouchon de vidange Boil Out By-PassMC et installez le tube d'extension Boil Out By-PassMC, comme indiqué à la Fig. 6. La plus grande extrémité se fixe à l'arrière du collecteur de vidange, comme indiqué sur la vue de coupe de profil à la Fig. 7.

7. Ne laissez pas l'eau s'écouler à travers la pompe-moteur. Vidangez la solution d'ébouillantage dans un seau ou placez un tuyau haute température à l'extrémité de la rallonge de vidange pour permettre à l'autre extrémité de s'écouler dans un siphon de sol.

8. Fermez le robinet de vidange et remplissez de nouveau la cuve d'eau. Ajoutez 1 tasse (1/4 L) de vinaigre pour neutraliser tout alcali laissé par le nettoyant. Le niveau de solution doit se situer entre les niveaux MIN et MAX de la cuve de la friteuse. Appuyez sur le bouton START(V) sur le bouton de commande à semi-conducteurs (A) pour faire chauffer la solution. Laissez la solution reposer quelques minutes.

9. Vidangez la cuve en répétant l'étape 7. Rincez minutieusement avec de l'eau claire et chaude. Toute trace de nettoyant doit être enlevée. Séchez soigneusement la cuve.

10. Fermez le robinet de vidange et ajoutez la graisse alimentaire.



Fig. 6

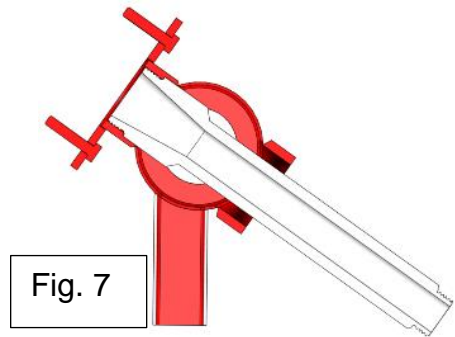
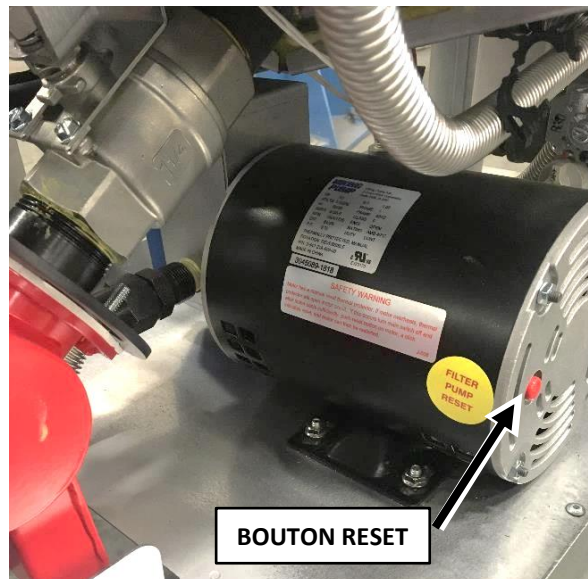


Fig. 7

BOUTON DE LA PROTECTION CONTRE LES SURCHARGES THERMIQUES :

La pompe-moteur fournie avec le système de filtrage dispose d'un circuit de protection contre les surcharges thermiques qui détecte tout excès de chaleur. Une telle situation peut être due à un filtrage de longue durée ou à une forte charge avant l'élimination des débris accumulés. Si la protection contre les surcharges thermiques est déclenchée, attendez 5 minutes, puis réinitialisez le moteur en appuyant sur le bouton rouge. La flèche sur la Figure 8 montre l'emplacement du bouton RESET situé à droite de la pompe-moteur.



BOUTON RESET

⚠ AVERTISSEMENT Si vous appuyez sur le bouton RESET, la pompe peut démarrer immédiatement et de l'huile chaude commencera à la traverser.

ENTRETIEN

⚠ AVERTISSEMENT L'huile et les pièces chaudes peuvent causer des brûlures. Faites très attention lors que vous utilisez, nettoyez et entretenez la friteuse.

⚠ AVERTISSEMENT Le déversement de composé de friture chaude peut causer de graves brûlures. Ne laissez pas la friteuse sans vidanger tous les composés de friture de la cuve.

⚠ AVERTISSEMENT Mettez la friteuse hors tension avant de procéder à son entretien.

LUBRIFICATION

Aucune pièce de la friteuse n'a besoin d'être lubrifiée.

INSPECTION DU CONDUIT DE FUMÉE

Procédez à une vérification une fois par an, lorsque la friteuse est à froid. Contrôlez le conduit de fumée et retirez toute obstruction.

VÉRIFICATION ANNUELLE

Contactez un prestataire de services qualifié pour qu'il effectue la vérification annuelle de la friteuse.

SERVICE AUX ÉTATS-UNIS ET AU CANADA

Contactez l'usine, son représentant ou le prestataire de services qualifié local pour qu'il effectue l'entretien et les réparations de la friteuse. Pour voir la liste exhaustive des bureaux de service, veuillez consulter le site www.vulcanequipment.com.

MESSAGES D'ERREUR

FLAMME PILOTE HORS SERVICE – Si la flamme pilote ne fonctionne pas, l'écran numérique affiche le message suivant :

Bouton de commande à semi-conducteurs « A » – PLt

ALIMENTATION EN GAZ FAIBLE OU NULLE – Si rien n'est fait après 90 secondes, la demande de chaleur est désactivée. L'afficheur numérique affiche le message suivant :

Bouton de commande à semi-conducteurs « A » – PLt

La friteuse doit être éteinte puis rallumée pour réinitialiser la commande d'allumage et la reprise des fonctions normales de la friteuse.

SONDE OUVERTE – En cas de détection d'une sonde ouverte, la demande de chaleur est désactivée. Tous les boutons d'utilisation sont aussi désactivés. L'afficheur numérique affiche le message suivant :

Bouton de commande à semi-conducteurs « A » – oP

COURT-CIRCUIT DE SONDE – En cas de détection d'un court-circuit au niveau d'une sonde, la demande de chaleur est désactivée. Tous les boutons d'utilisation sont aussi désactivés. L'afficheur numérique affiche le message suivant :

Bouton de commande à semi-conducteurs « A » – SP

HAUTE TEMPÉRATURE – Si la température est supérieure ou égale à 415 °F (212 °C) ou de 40 °F au-dessus du point de consigne, la demande de chaleur est désactivée. Tous les boutons d'utilisation sont aussi désactivés. L'afficheur numérique affiche le message suivant :

Bouton de commande à semi-conducteurs « A » – HI

TABLEAU DE DÉPANNAGE

PROBLÈME	CAUSE PROBABLE
Pas de chaleur	<ol style="list-style-type: none"> 1. Interrupteur d'alimentation hors tension 2. L'alimentation en gaz n'est pas ouverte. Vérifiez que le robinet de gaz externe est ouvert et que la soupape de gaz est correctement raccordée 3. Connexions de fils lâches ou qui ont besoin d'être nettoyées (appelez un technicien) 4. Dispositif de commande à maximum déclenché (appelez un technicien) 5. Vérifiez que le câble d'alimentation est correctement branché
Chaleur insuffisante ou trop élevée	<ol style="list-style-type: none"> 1. Température non réglée au point de consigne souhaité 2. Dispositif de commande à maximum déclenché (appelez un technicien) 3. Sonde de température (appelez un technicien) 4. Pression de gaz insuffisante (appelez un technicien)
Le réservoir ne s'écoule pas	<ol style="list-style-type: none"> 1. La graisse est trop froide. Faites chauffer l'huile à une température minimale de 300 °F. 2. Le tuyau d'évacuation est obstrué par des débris
La pompe-moteur ne pompe pas l'huile	<ol style="list-style-type: none"> 1. Le tuyau d'aspiration n'est pas correctement positionné dans le bloc de prises. 2. L'écran-filtre ou son enveloppe est obstrué(e) et a besoin d'être nettoyé(e). 3. La graisse est trop froide. Faites chauffer l'huile à une température minimale de 300 °F. 4. L'interrupteur de mise au rebut n'est pas correctement paramétré pour le filtrage ou pour la mise au rebut. 5. Le bouton de protection contre les surcharges thermiques du moteur est déclenché.